



# McLaren Artura GT4 | SPORT | PRO | ULTIMATE

USB steering wheels for racing  
simulators  
product manual

USB-Lenkräder für Rennsimulatoren  
Produktanleitung

V1.2



## Table of Contents

1. Safety Information.....	5
1.1. Intended Use .....	5
2. Declaration of Conformity.....	5
3. McLaren Licensing .....	6
4. Box Contents .....	6
5. Quick Start .....	7
6. Product Overview .....	8
7. USB Connection Methods.....	9
8. Quick Release Mounting Options.....	10
8.1. SC2 SQR WHEEL SIDE – Simucube Adapter .....	12
8.2. SC2 SQR WHEEL SIDE – Ascher Racing SQR Adapter.....	12
8.3. 70mm Bolt Pattern Quick Release – Outside Mounting .....	13
8.4. Asetek QR – internal USB connection .....	13
8.5. How to Open the Steering Wheel .....	14
8.6. M5 Threaded QRs.....	14
8.7. Fanatec Podium Hub .....	15
8.8. Fanatec QR2 .....	16
9. SimHub.....	17
9.1. Installation.....	17
9.2. Artura ULTIMATE Dashboard .....	18
9.3. LED Illumination .....	19
9.4. Default Lighting .....	20
9.5. Ascher Racing Artura Button LED Profile .....	20
9.6. Color Scheme.....	21
9.7. Button Press Effects .....	22
9.8. Telemetry Based Effects.....	23
9.9. Artura ULTIMATE Dashboard LEDs.....	23
9.10. RPM LEDs.....	24
9.11. Lovely Dashboard .....	26
9.12. Daniel Newman Racing LED Profiles.....	27

10.	Ascher Racing Control Center.....	28
10.1.	Button Mapping .....	28
10.2.	Configuration Settings.....	30
10.3.	Analog Axis Mode.....	31
10.4.	Clutch Settings.....	31
10.5.	Encoder Pulse Width .....	31
10.6.	Rotary Switch Modes.....	32
11.	On-Wheel Settings .....	36
12.	How to Change Button Caps .....	37
13.	Upgrade Shifters and Clutch Paddles .....	38
14.	Firmware Update .....	38
15.	Steering Wheel Dimensions.....	40
1.	Sicherheitsinformationen.....	45
1.1.	Verwendungszweck.....	45
2.	Konformitätserklärung.....	45
3.	McLaren Lizenzierung.....	46
4.	Lieferumfang.....	46
5.	Schnellstartanleitung.....	47
6.	Produktübersicht.....	48
7.	USB Verbindungsoptionen.....	49
8.	Quick Release Montage-Optionen.....	50
8.1.	SC2 SQR WHEEL SIDE – Simucube Adapter .....	51
8.2.	SC2 SQR WHEEL SIDE – Ascher Racing SQR Adapter .....	51
8.3.	70mm Lochkreis Quick Release – Montage von außen .....	52
8.4.	Asetek QR – interne USB-Verbindung .....	52
8.5.	Anleitung zum Öffnen des Lenkrads .....	53
8.1.	.....	54
8.2.	.....	54
8.3.	.....	54
8.4.	.....	54
8.5.	.....	54
8.6.	M5 Threaded QRs.....	54
8.7.	Fanatec Podium Hub .....	54
8.8.	Fanatec QR2 .....	55
9.	SimHub.....	56

9.1.	Installation.....	56
9.2.	Artura ULTIMATE Dashboard .....	57
9.3.	LED Beleuchtung.....	58
9.4.	Standardbeleuchtung.....	59
9.5.	Ascher Racing Artura Button LED Profile .....	59
9.6.	Farbschema .....	60
9.7.	Button Push Effekte.....	61
9.8.	Telemetriebasierte Effekte.....	62
9.9.	Artura ULTIMATE Dashboard LEDs.....	63
9.10.	RPM/Drehzahl LEDs.....	63
9.11.	Lovely Dashboard .....	66
9.12.	Daniel Newman Racing LED Profile .....	67
10.	Ascher Racing Control Center.....	68
10.1.	Button Mapping .....	68
10.2.	Configuration Settings.....	70
10.3.	Analog Axis Modus .....	71
10.4.	Clutch Settings.....	71
10.5.	Encoder Impulsbreite .....	71
10.6.	12-Position Rotary Switch Modi.....	72
11.	On-Wheel Settings .....	76
12.	Ändern der Button Caps .....	77
13.	Upgrade der Shifter und Clutch Paddles .....	78
14.	Firmware Update .....	79
15.	Lenkrad Maße .....	81
	.....	82



## 1. Safety Information

Thank you for purchasing the Ascher Racing McLaren Artura steering wheel. Please read the manual carefully before installing and using the product.

### 1.1. Intended Use

The steering wheel is designed to be used in a competitive sim racing environment for indoor use only and connects directly to your PC mainboard via USB.

Please note the following general safety aspects:

- The device must not be exposed to rain or humidity to avoid the risk of fire and electric shock.
- Do not operate or store the device outside of room temperature, 15°C to 35°C
- We strongly advise you not to drive a vehicle immediately after driving a racing simulation.
- This product is not intended for children under the age of 15 years.
- Contains small pieces – danger of swallowing!
- Extended periods of driving a simulation may cause health risks. Take a break of 5 minutes every 20 minutes and do not exceed 2 hours of total driving time per day.
- Keep hair, clothing and jewelry away from the product when in use.
- Only one person may use the product at any given time. Keep other persons away from the product when in use.
- Do not disassemble the product beyond what is described in this product manual.
- Make sure the steering wheel is mounted securely to your wheel base and screws are tightened properly before use.
- Do not leave the device exposed to a heat source or in a high-temperature location, such as in the sun in an unattended vehicle. To prevent the possibility of damage, remove the device from the vehicle or store it out of direct sunlight.

## 2. Declaration of Conformity

It's in conformity with the essential requirements and other relevant requirements of the Radio Equipment Directive (RED) (2014/53/EU).

This device complies with Part 15 of the FCC Rules. Operation is subject to the following two conditions:

- This device may not cause harmful interference, and
- this device must accept any interference received, including interference that may cause undesirable operation.

Any changes or modifications not expressly approved by KW automotive GmbH could void the user's authority to operate the equipment.

### 3. McLaren Licensing

The Ascher Racing McLaren Artura steering wheel series is manufactured under license from *McLaren Automotive Limited*. The "McLaren" name and logo are registered trademarks of McLaren.

### 4. Box Contents

The box contains the following components and accessories:

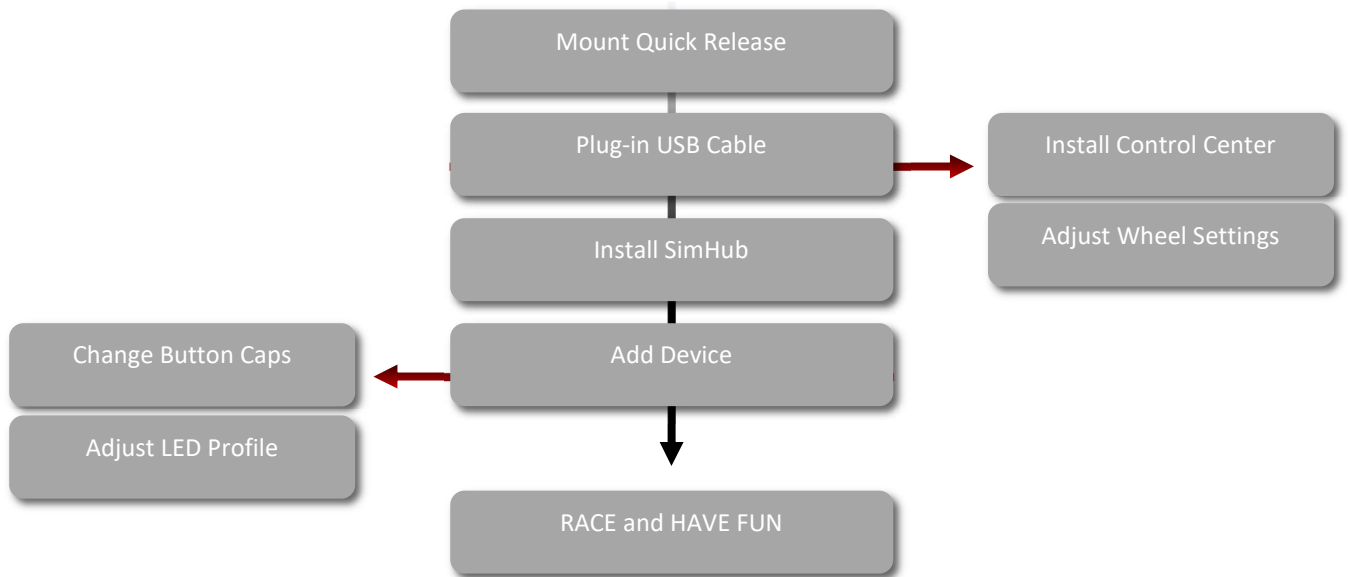
- Artura GT4 | SPORT | PRO | ULTIMATE steering wheel
- cables:
  - coiled connection cable
  - USB-C cable for Asetek QR internal connection
  - active USB extension
- screws and washers for Quick Release mounting
- additional button caps with various symbols
- all required tools to swap button caps, knobs, mount QR...:
  - 2 x button cap removing tool
  - Allen keys: 0.9, 1.5, 2.5, 4.0 mm
  - Torx key: TX8, TX20
  - coiled cable connector nut removing tool
- label sheet

Artura GT4 | SPORT:

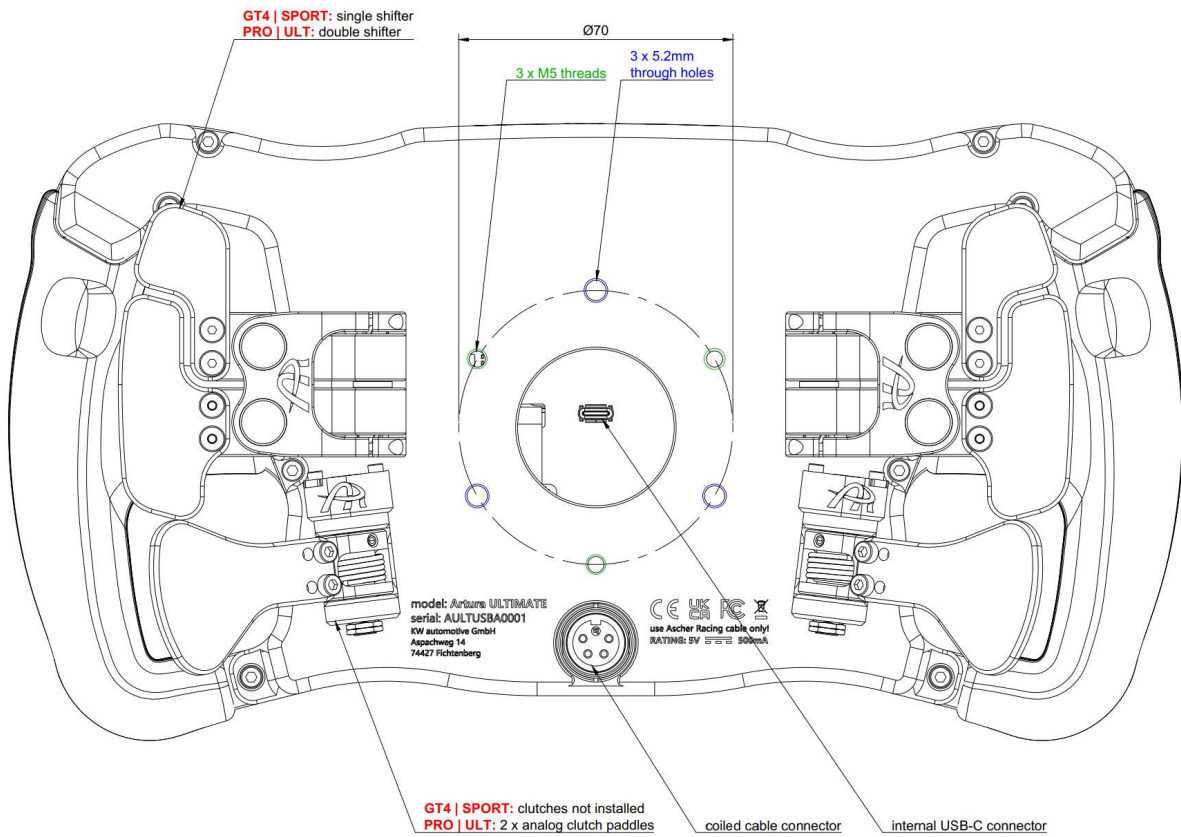
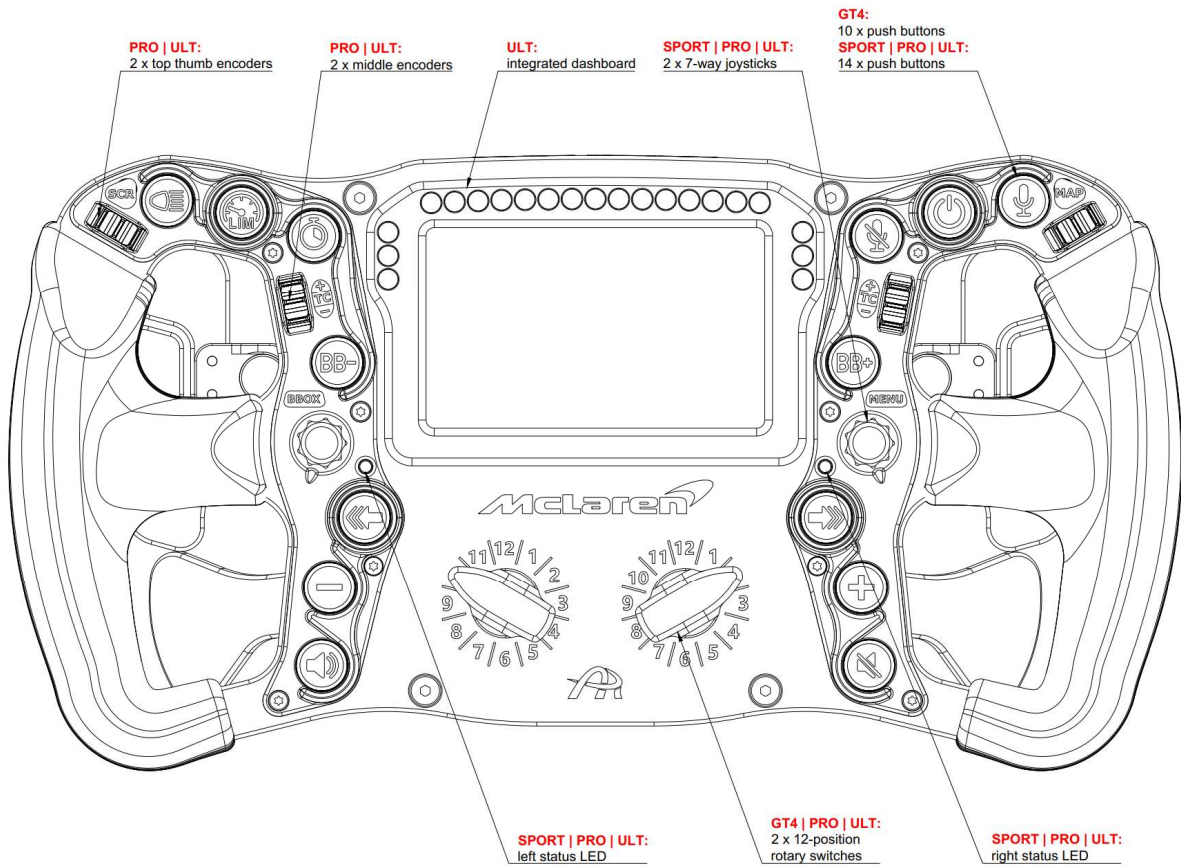
- screws and washers for (optional) clutch paddles mounting

## 5. Quick Start

ENGLISH:



## 6. Product Overview



## 7. USB Connection Methods

There are two possible USB connections for the Artura USB series:

1. coiled cable connector
2. internal USB-C connection

The coiled cable is the standard connection method and required for firmware updates as described in chapter 14. For Quick Releases with internal USB pass-through connection (e.g. Asetek) the alternative USB-C connector in the center of the rear side of the steering wheel can be used.

**Both connection methods can be used simultaneously without risking any damage to the host or the wheel. When both cables are connected, the wheel electronics will automatically switch to the coiled cable.**

In case of connection issues, for example due to a worn slip-ring in the wheel base, the coiled cable can be used as a fallback option any time without the need to disconnect the USB-C cable or remove cables inside the wheel base.

Due to the highly optimized electronics and firmware regarding low power consumption, the Artura USB steering wheels (including the ULTIMATE model with screen) fulfill the **USB2.0 specification of 500mA / 5V**.

Especially for the Artura **ULTIMATE**, it's necessary that the connection method ensures the supply of 500mA / 5V. Circumstances restricting the necessary power delivery can result in an unsuccessful USB connection. The screen of the steering wheel is particularly sensitive to poor power delivery and won't connect in these circumstances. The device connection status in SimHub will show "partially connected" in this case.

To ensure the required power delivery the following connection methods are recommended:

- plug-in the coiled cable directly into the PC
- spread the load of power-hungry USB devices to different mainboard chipsets
- use different ports 2.0 / 3.0 / 3.1 for demanding devices (screens/ dashboards)
- to find out how to spread the devices, unplug all devices first and reconnect them one-by-one beginning with the steering wheel
- update mainboard BIOS to latest firmware

If the coiled cable is either too short to reach the PC or the mainboard is having trouble to deliver the necessary power, a powered hub USB 2.0 or above is recommended:

- powered hub must deliver >500mA per port
- some hubs are still having trouble if too many demanding devices are connected
- remove other devices from hub

Avoid using an extension cable to extend the coiled cable due to an unavoidable voltage drop. The included USB extension cable is meant to be used between the PC and a powered USB hub in order to mount the hub in reach of the coiled cable.

## 8. Quick Release Mounting Options

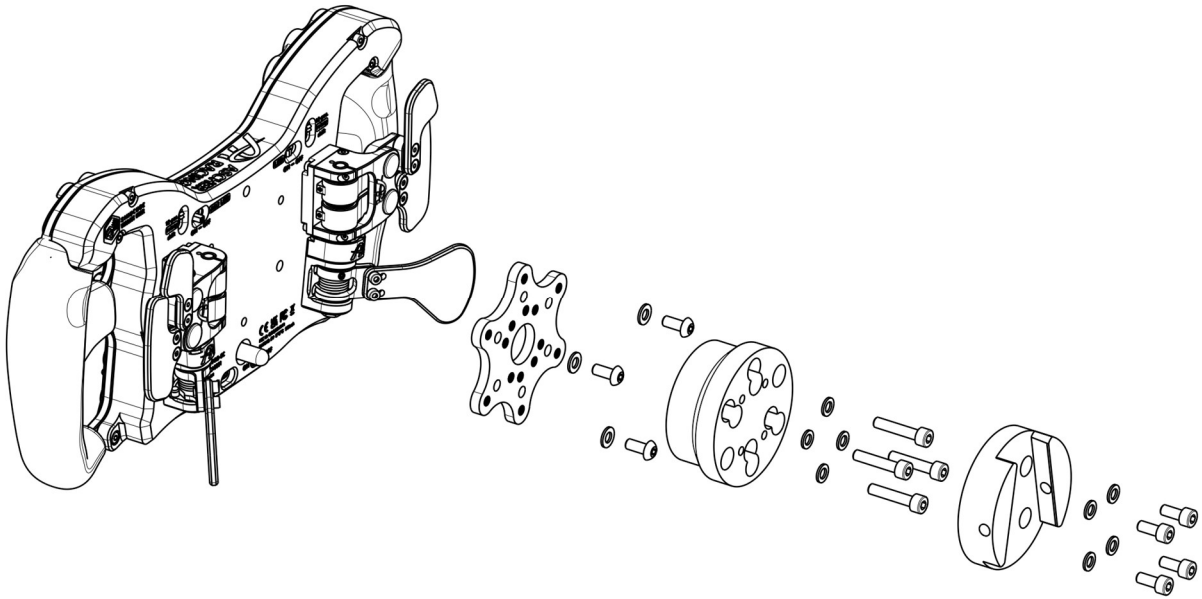
The steering wheels are equipped with a standard 70mm bolt pattern with alternating M5 threads and through holes as shown in 0

Product Overview. Exception: The McLaren Artura GT4 comes with a 50mm x 3 bolt pattern, while using M5 threads as well.

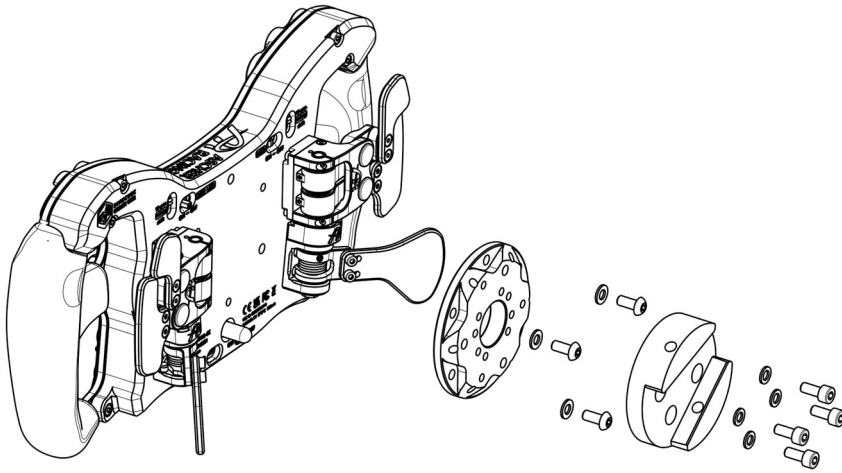
This offers a secure 3 bolt QR attachment for both outside as well as inside mounting, depending on the QR design (through holes, threaded blind holes etc.).

There are several possible mounting options for all common QRs shown below. Adapters or QRs are not part of the scope of supply and have to be purchased separately.

### 8.1. SC2 SQR WHEEL SIDE – Simucube Adapter



### 8.2. SC2 SQR WHEEL SIDE – Ascher Racing SQR Adapter

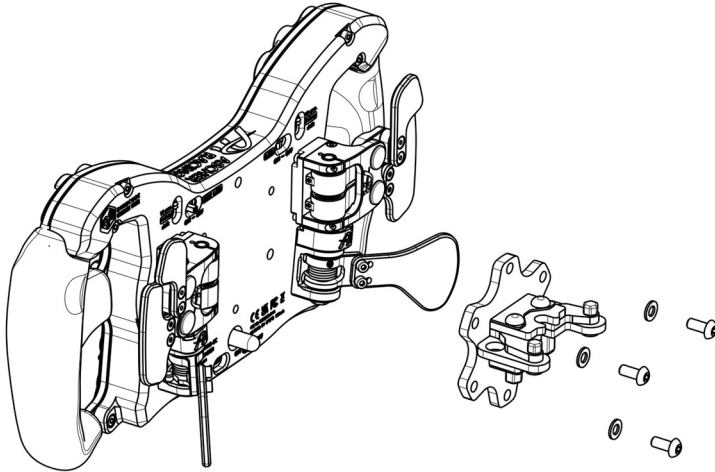




### 8.3. 70mm Bolt Pattern Quick Release – Outside Mounting

Standard 70mm bolt pattern Quick Releases with non-threaded through holes can be mounted directly from the outside to the M5 threaded holes on the rear side without opening the steering wheel.

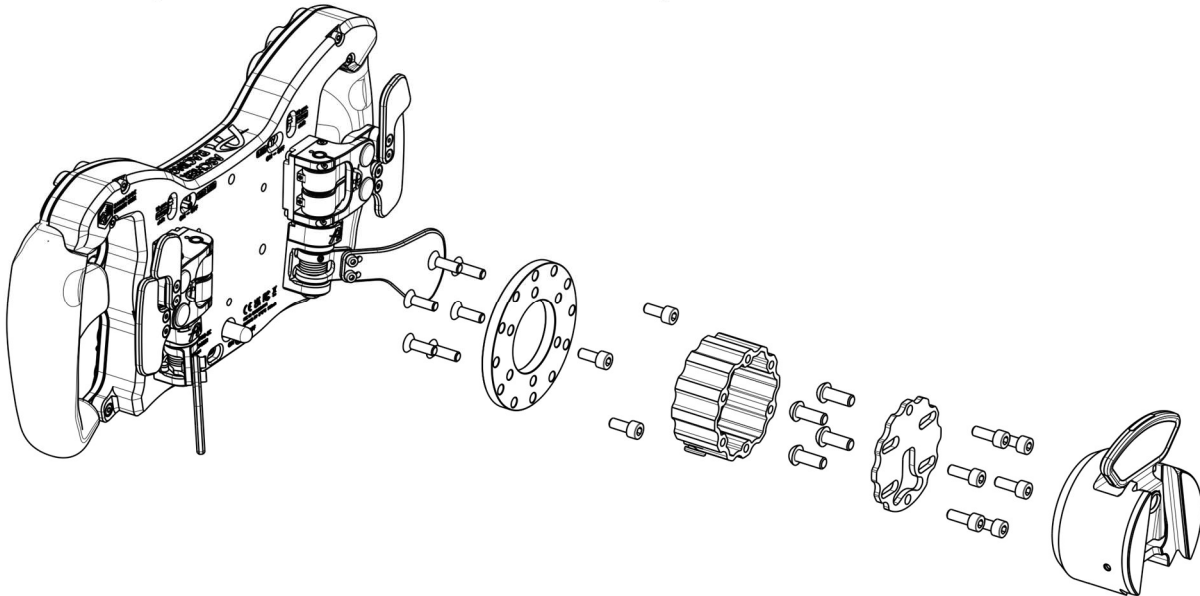
Q1R:



### 8.4. Asetek QR – internal USB connection

With an Asetek wheel base and QR, it's possible to use the wheel's internal USB-C connection directly, thus removing the coiled cable and driving wirelessly. The Asetek QR needs to be equipped with the USB-C type PCB (alternative version with USB-C connector instead of soldered cable), which is available at <https://ascher-racing.com/int/shop>.

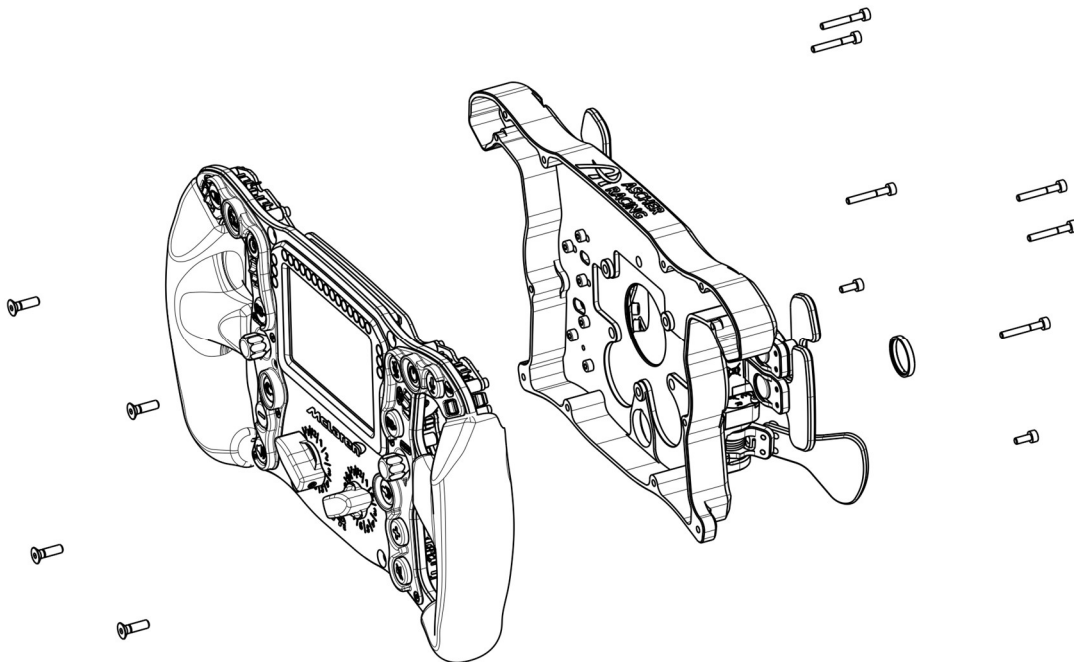
Connect the short USB-C to USB-C cable to both QR and wheel, twist it a few times for best cable management and assemble as shown in the picture below.



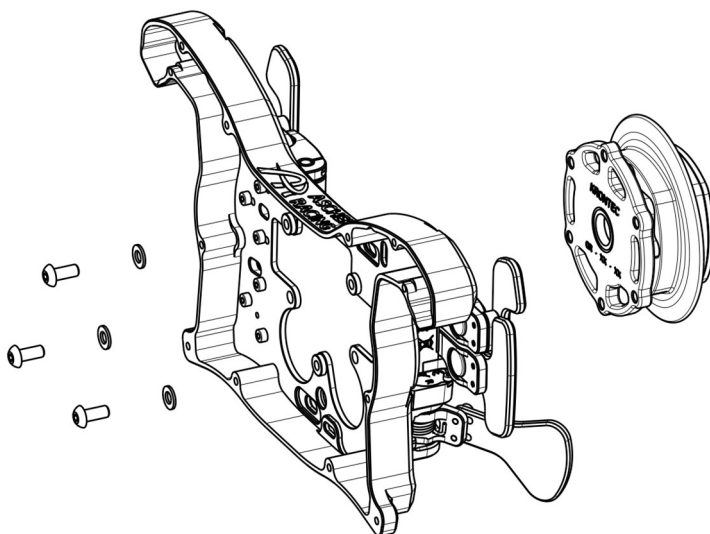
### 8.5. How to Open the Steering Wheel

QRs with either M5 threaded blind holes or other features preventing from conventional mounting can be attached from the inside of the wheel casing. Open the steering wheel as follows:

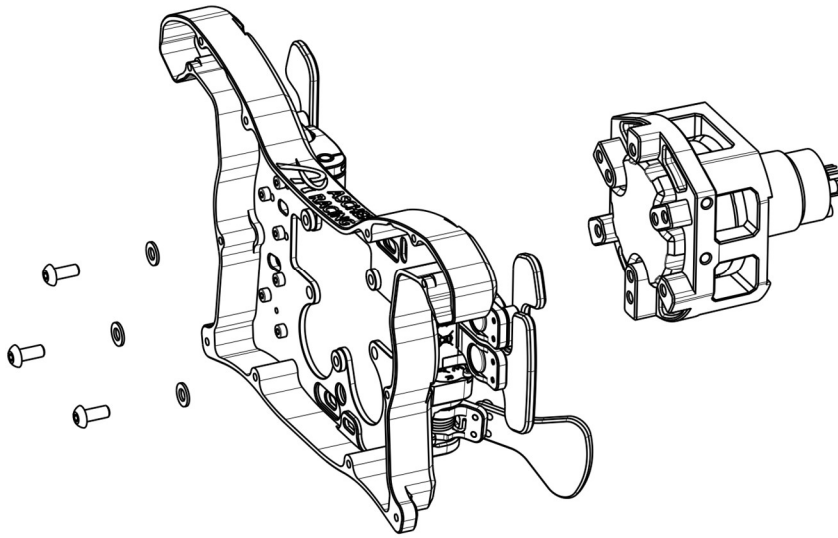
1. remove coiled cable connector nut (tool included)
2. remove all (4 pcs) black countersunk M4 screws on the frontplate (Torx key: TX20)
3. remove all (8 pcs) M3 screws on the rear side (Allen key: 2.5mm)
4. unplug paddle shifters / clutch paddles to fully separate the rear casing
5. mount Quick Release as shown below
6. make sure not to squeeze any cables (frontplate and casing must touch without force)
7. assemble in reverse order



### 8.6. M5 Threaded QRs



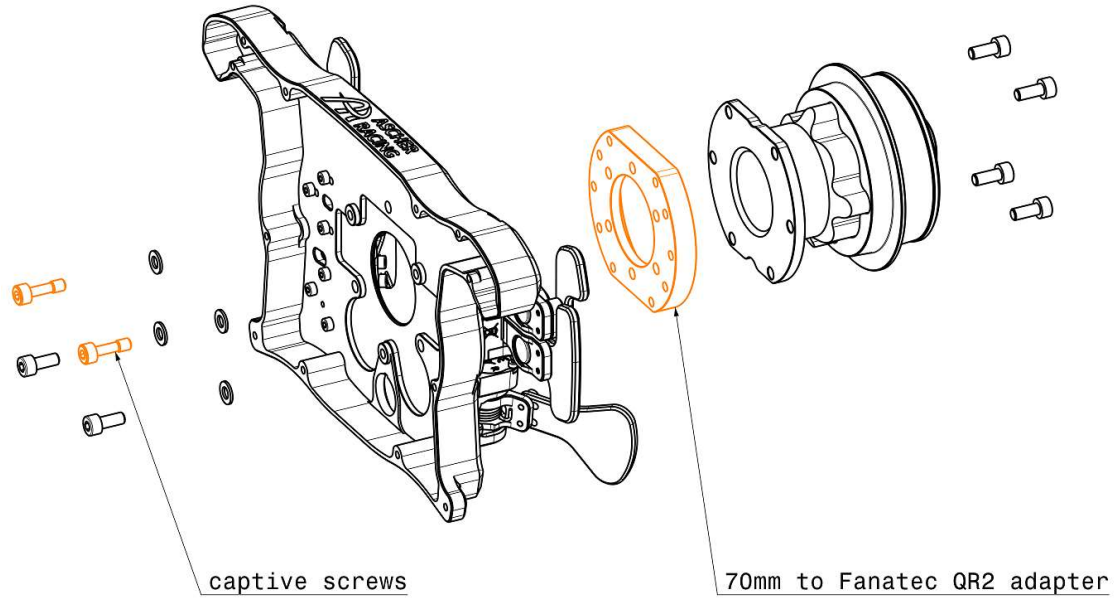
### 8.7. Fanatec Podium Hub



### 8.8. Fanatec QR2

Fanatec QR2 Quick Release models have a non-standard bolt pattern and require **additional hardware**:

- QR2 to 70mm bolt pattern adapter (e.g. SIM RACING MACHINES)
- captive screws to bypass M5 threads of the wheel casing (see shop, accessories)



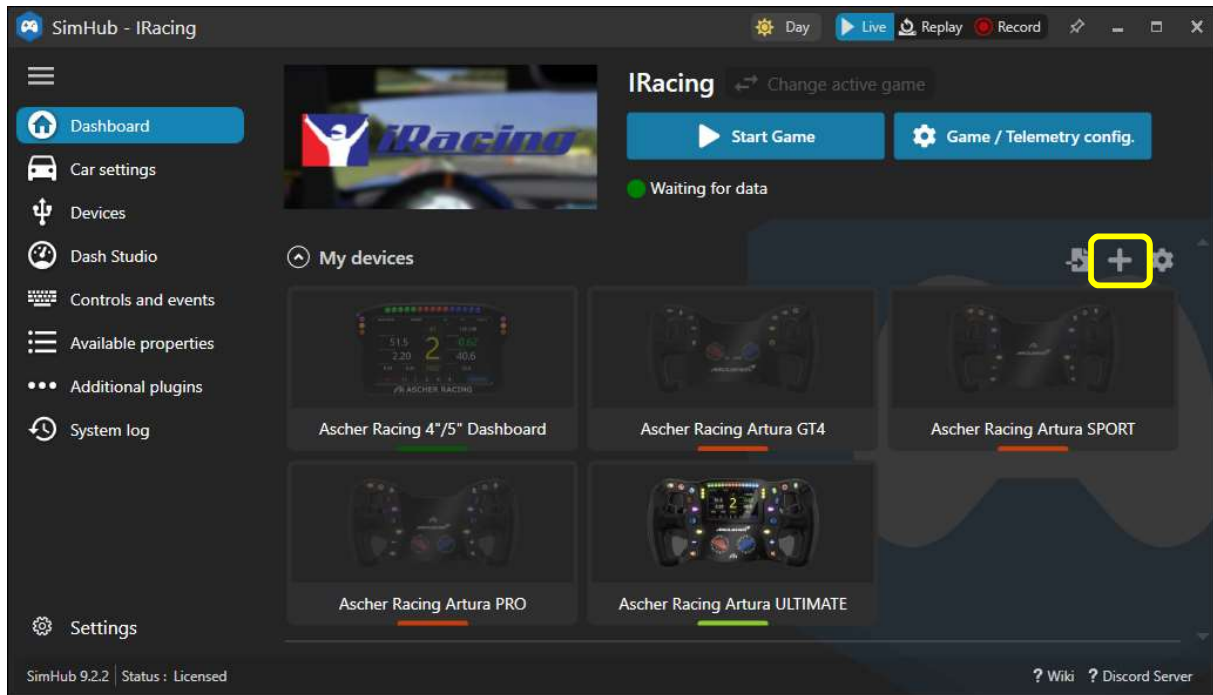
## 9. SimHub

### 9.1. Installation

Download the latest version of SimHub from the official website and follow the installer step by step:

<https://www.simhubdash.com/download-2/>

Add the steering wheel by clicking + (on the Dashboard page) and select the product from the list.

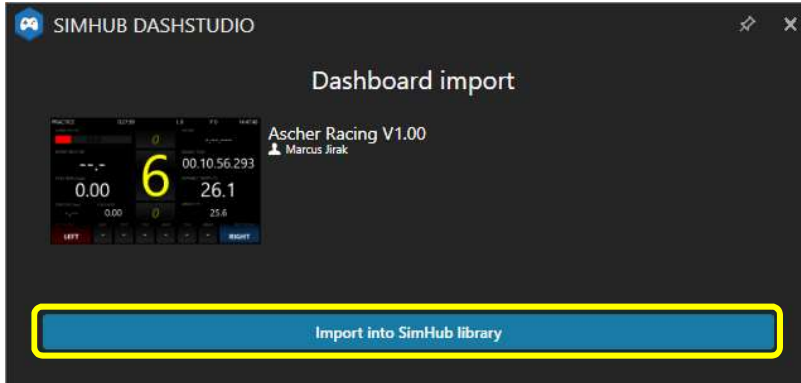


## 9.2. Artura ULTIMATE Dashboard

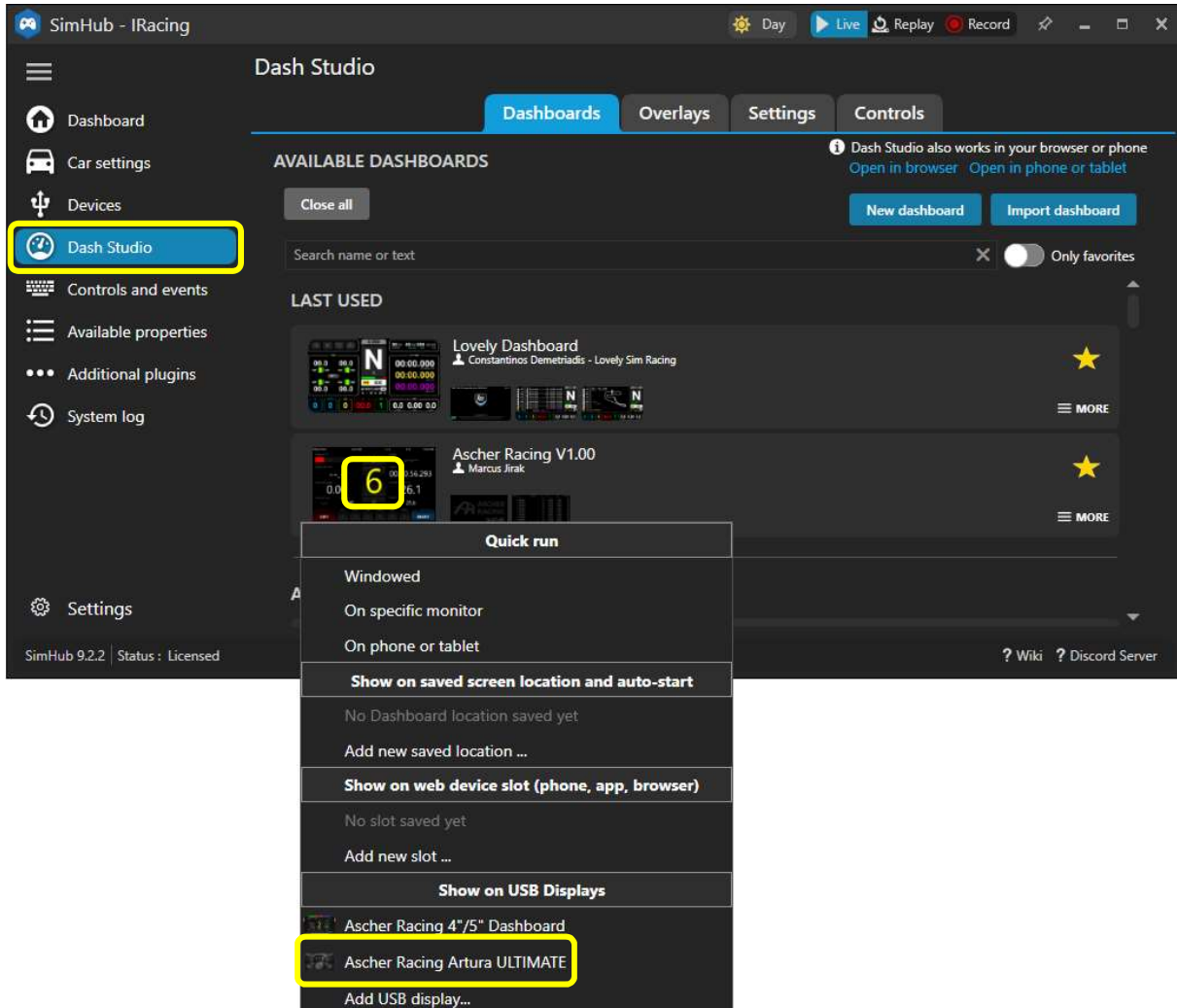
Download the latest Ascher Racing Dashboard from the support page and double click to install it:

Ascher Racing V1.00.simhubdash

<https://ascher-racing.com/int/downloads?open=wheels>



To run the dashboard, go to *Dash Studio*, click *Start* and select the *Ascher Racing Artura ULTIMATE*:



For **iRacing** in particular, it's highly recommended to install the **iRacing Extra Properties Plugin by Romain Rob** in order to utilize the full functionality of the dashboard.

Download both files

RSC.iRacingExtraProperties.dll

RSC.iRacingExtraProperties.pdb

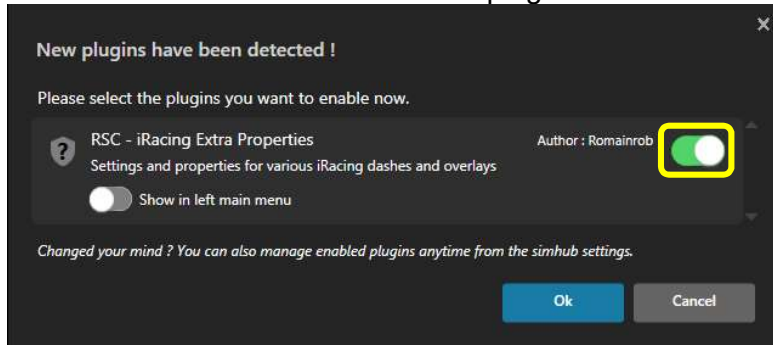
from Romain Rob's Google Drive

[https://drive.google.com/drive/folders/1AiIWHviD4j-D-zgRrjJU1AFhJ\\_xmass](https://drive.google.com/drive/folders/1AiIWHviD4j-D-zgRrjJU1AFhJ_xmass)

and save them to the SimHub installation folder, e.g.:

C:\Program Files (x86)\SimHub

Restart SimHub and enable the new plugin:



### 9.3. LED Illumination

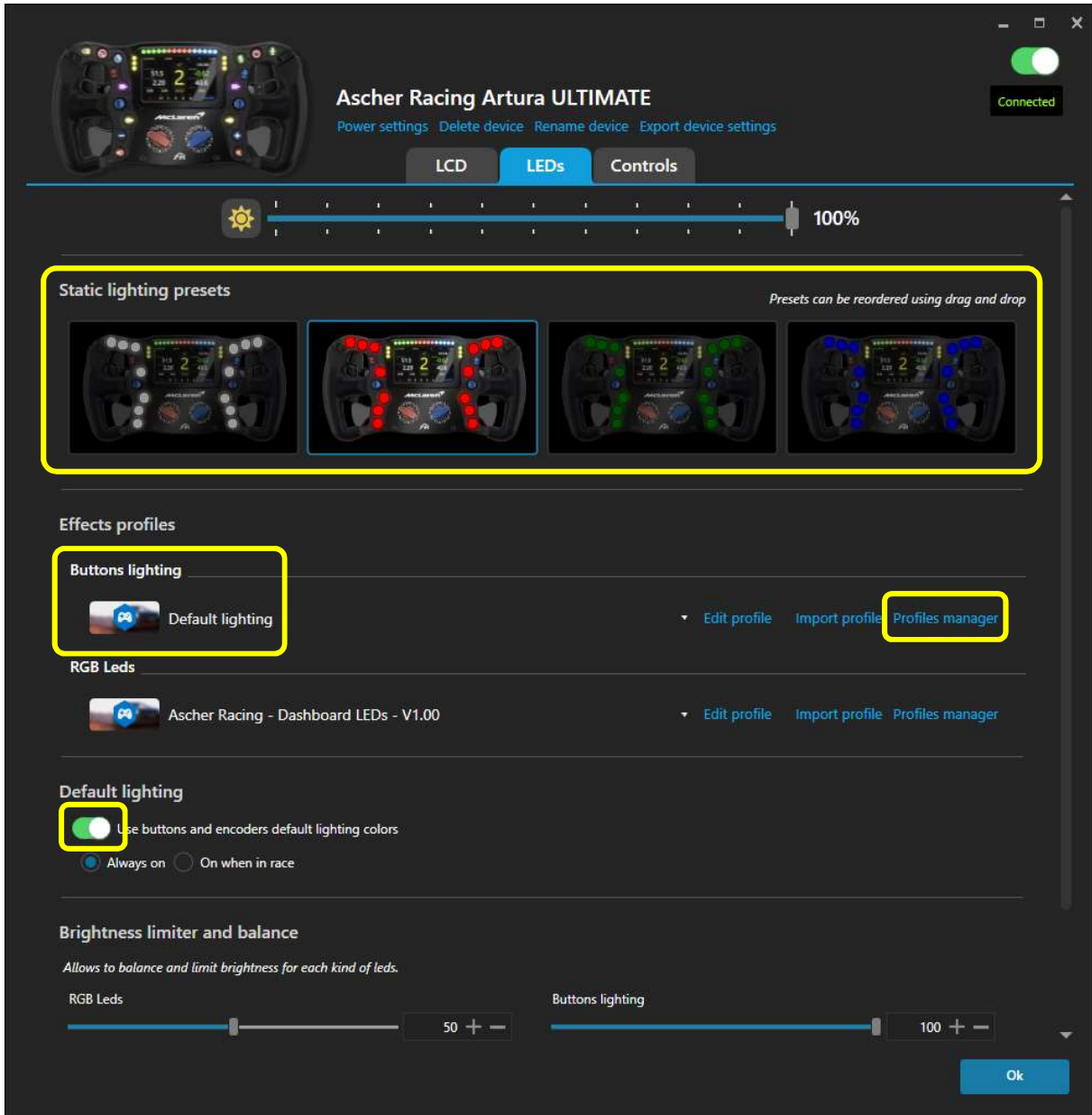
LEDs for push buttons and dashboard can be controlled without limitation. Over 16M possible colors, either static lighting, animated effects or fully controlled by live game telemetry data. Official Ascher Racing LED profiles are used by default – check the support page for any profile updates.



### 9.4. Default Lighting

In order to use static LED colors without any effects, animations or telemetry control, enable *Default lighting* and create a *new (empty)* LED profile (any LED effects within the profile will override the default, static lighting):

Buttons lighting > Profiles manager > NEW PROFILE > OK > LOAD



### 9.5. Ascher Racing Artura Button LED Profile

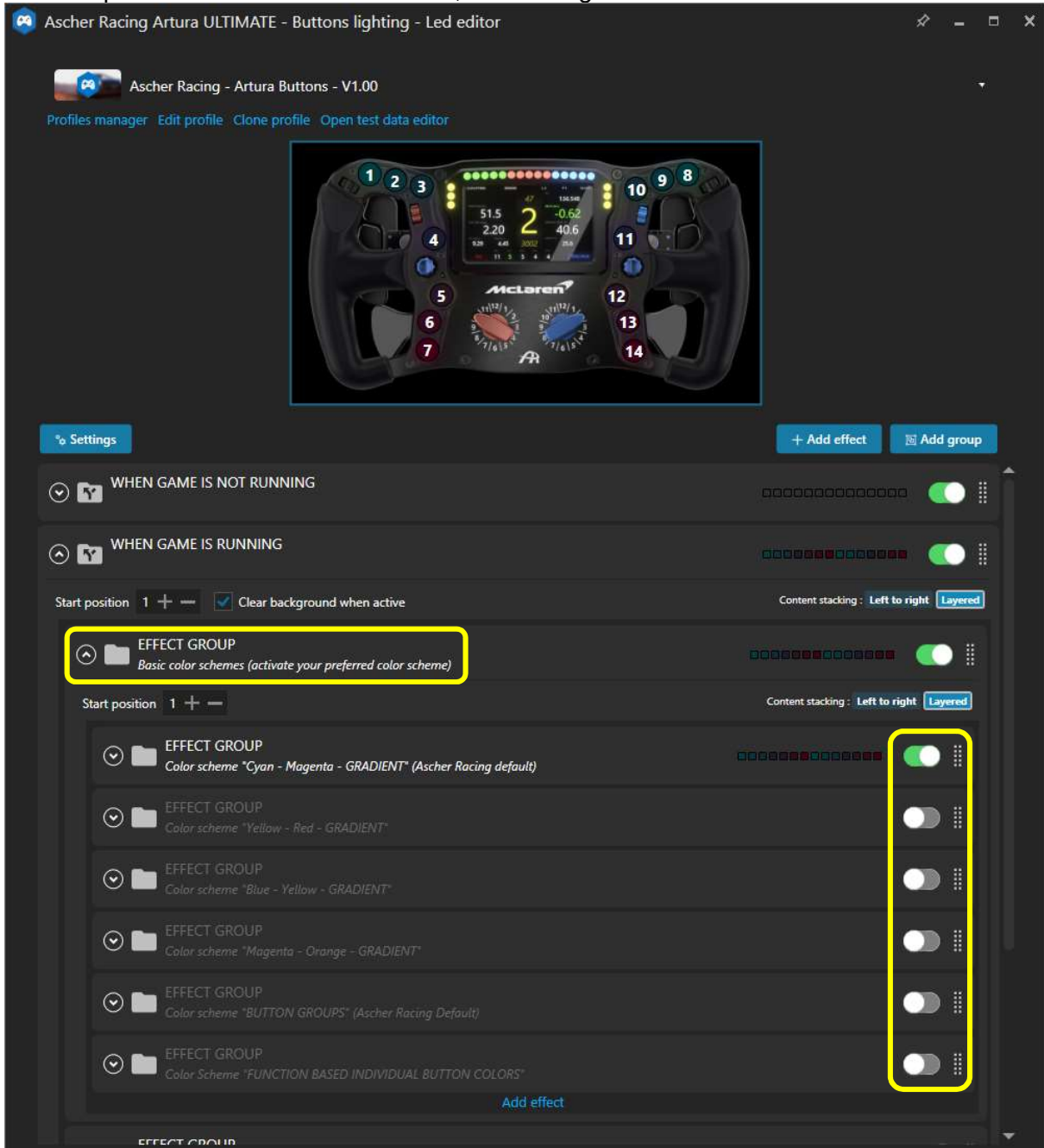
The official Ascher Racing Artura Button LED Profile is set as default once the Device has been added in SimHub. The profile is designed to work with all Artura models without any modifications. The Artura GT4 has two blank LEDs in position 6 and 7 in order to match the sequence of LEDs of the other models of the steering wheel series. This way, no modifications are required for the GT4 wheel and all 3<sup>rd</sup> party LED profiles can be used without changes.



The basic concept of the official Ascher Racing Button illumination is a color scheme as the base layer and push button/ telemetry-based effects on top. The base colors are dimmed on purpose so that certain effects or alerts are much brighter in comparison.

### 9.6. Color Scheme

Select a pre-defined basic color scheme, edit color gradients or individual LEDs if desired:



Background colors are dimmed intentionally so that non-dimmed effects on above layers are visually more prominent.

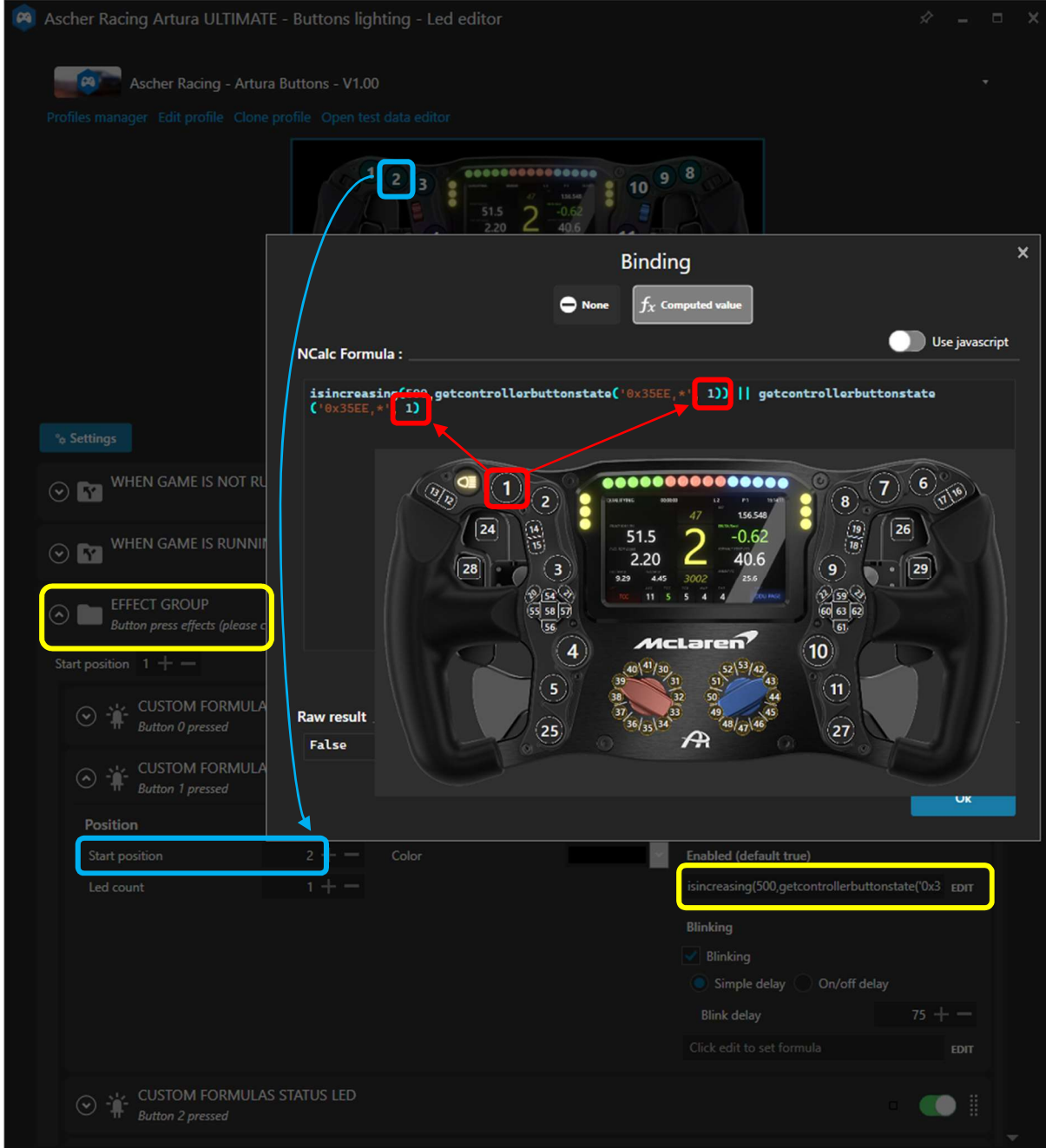
### 9.7. Button Press Effects

The default behavior of LED push button effects is quick blinking for 0.5s when pressed shortly or permanently. It can be adjusted for each individual button in the *EFFECT GROUP > Button press effects*.

However, **both LED position as well as button-ID need to be set-up correctly:**

- Start position: LED position according to the number in the wheel preview
- Button-ID: button number according to the Button Mapping (see chapter 10.1)

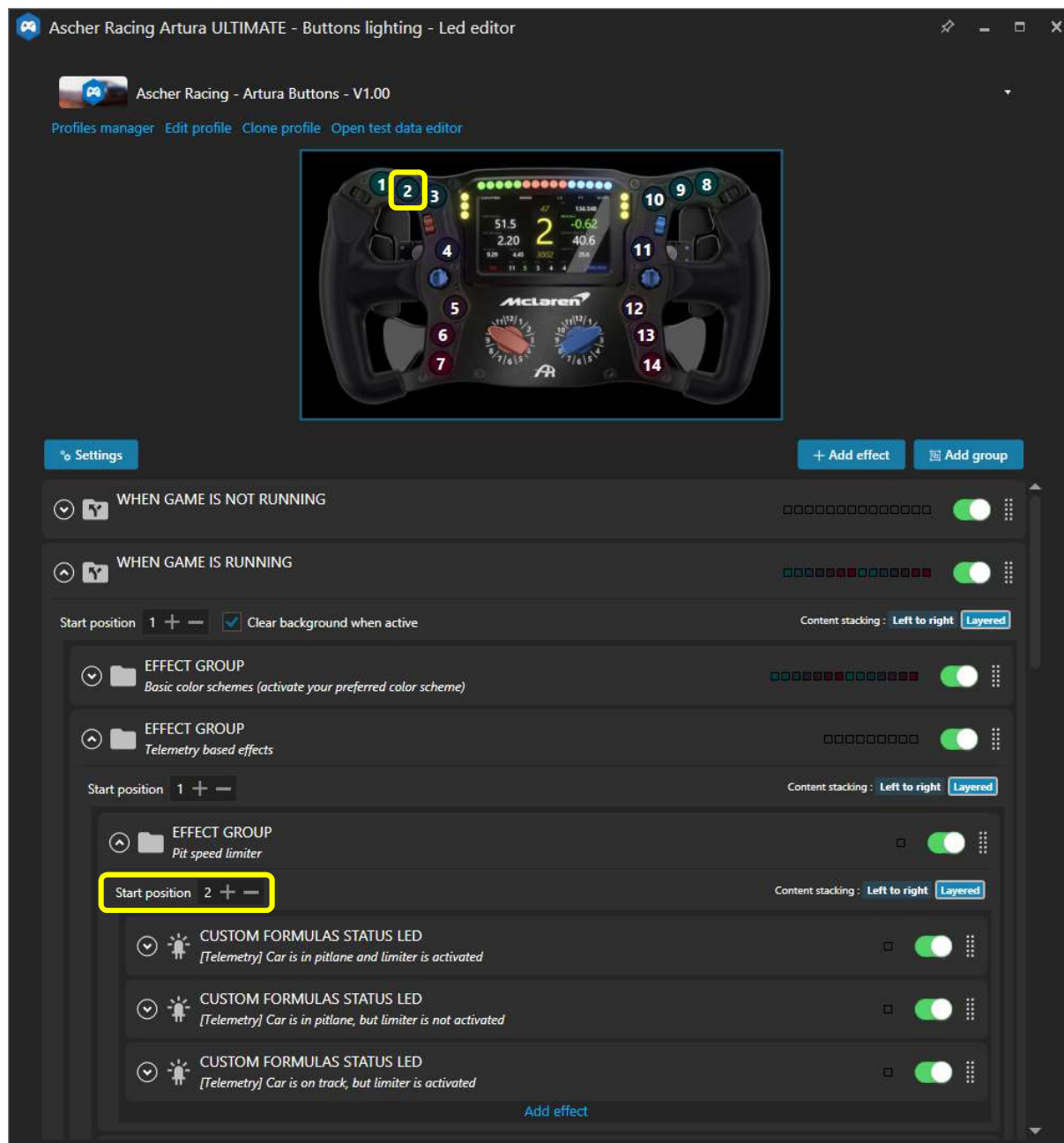
The following screenshot shows the setup example for the second button which is using **button-ID #1** (as per the factory default Button Mapping) and is located in **Start Position 2**.



### 9.8. Telemetry Based Effects

In addition to the basic color scheme, several buttons are controlled by the game telemetry as a layer on top. For example, the Pit Speed Limiter button will change its color depending on the status of the limiter and if the car is in the pit-lane.

**If the button cap is moved to another position, Start position has to be adjusted accordingly.**



### 9.9. Artura ULTIMATE Dashboard LEDs

The LEDs surrounding the integrated Dashboard are controlled by a separate LED profile, the Ascher Racing default is applied automatically.

The general concept for the Dash LEDs is similar to the buttons, where most effects are dimmed by default to create necessary headroom for alerts and shift flashes. Vertical LEDs on the left and right side are used for race specific messages such as flags or spotter messages

and for car system messages. TC, ABS, Pit-Limiter effects can be individually switched off or tweaked if necessary.

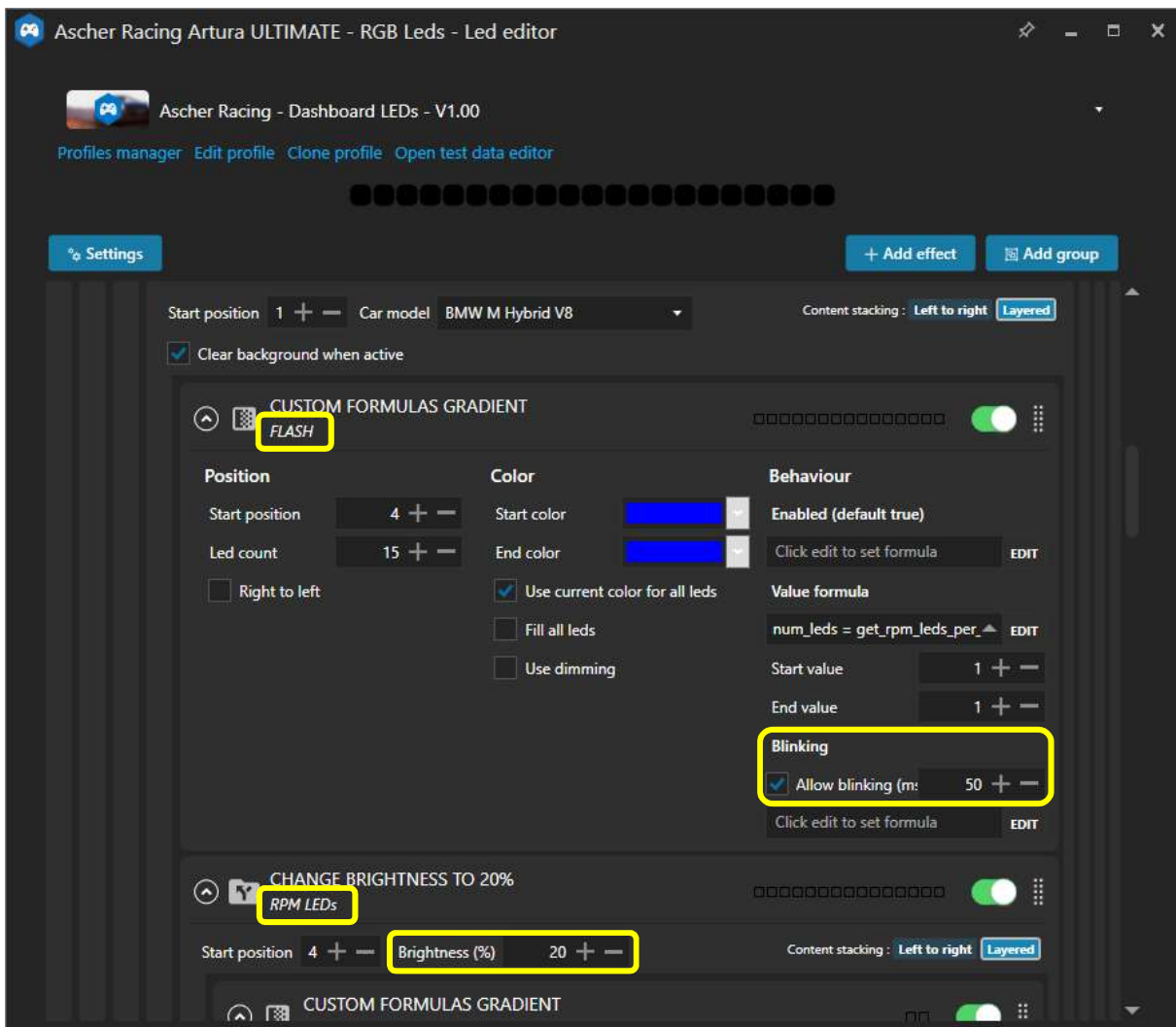
### 9.10. RPM LEDs

The horizontal LEDs are used to display the engine RPMs and to visualize the shift flash. Next to the standard RPM animation are many car specific LED animations.

Colors, numbers and the general behavior are designed to replicate the real car's LEDs. However, the engine **RPMs are optimized for perfect power transmission instead of mimicking the real car's LEDs**. Due to this, LEDs may be out of sync compared to the in-game car but offer the advantage of faster lap times.

A telemetry analysis has been made in iRacing for optimum engine RPMs **per car and for each individual gear**. The following adjustments can be made to suit personal preferences:

- brightness of RPM LEDs and FLASH LEDs
- flash permanent or blinking
- flash blinking speed
- how fast the RPM band fills (adjustable per individual gear)



In order to adjust the speed of how quick the RPM band fills for each individual gear, the `rpm_per_led` value can be adjusted for each individual car and gear. The variable describes how many engine RPMs each LED represents. Therefore, higher values result in a slower RPM band with a default value of `rpm_per_LED[i] = 50`.

Those values need to be copy/pasted to all colors of the RPM band of a car:

RPM LEDs > Red Lights Left > Value formula

RPM LEDs > Red Lights Right > Value formula

RPM LEDs > Green Lights Left > Value formula

...

**Binding**

None `fx` Computed value

Use javascript

**JS Extensions**

*Including extensions is costly, only enable the options you really need.*

Include profile embedded JS extensions [Edit profile embedded JS extensions](#)  Include global JS extensions [View](#)

**Run once javascript code**

*This code will only be called once allowing to declare variables to store data, declare helper functions, load settings ...*

```
rpm_per_led[1] = 100; // gear 1
rpm_per_led[2] = 100; // gear 2
rpm_per_led[3] = 100; // gear 3
rpm_per_led[0] = 100; // gear 0
```

**Javascript**

*Javascript must return a result, IE: return 10*

```
num_leds = get_rpm_leds_per_gear("RPM", rpm_per_led) // RPM or FLASH
return num_leds
```

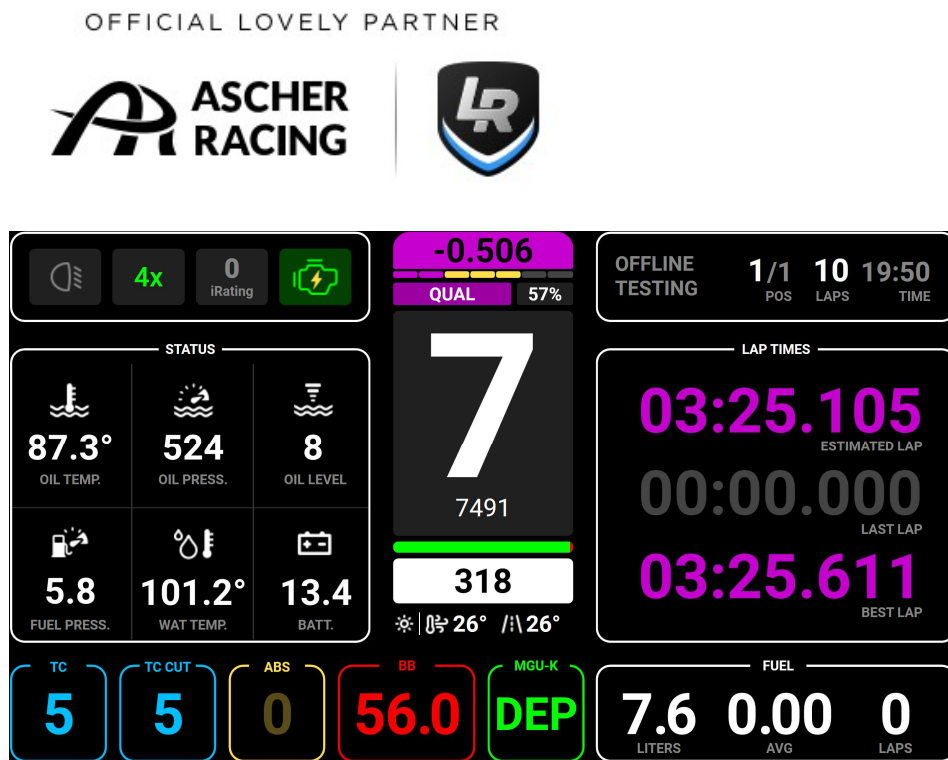
### 9.11. Lovely Dashboard

SimHub offers the possibility to use any dashboard, from one of the default dashboards, a DIY dash built with the integrated Dash Studio, up to highly optimized 3<sup>rd</sup> party dashboards. For the latter, the Lovely Dashboard by Constantinos Demetriadis is a highly recommended option and offers unmatched design language combined with a feature packed ecosystem and constantly evolving capacities such as comprehensive track data information.

All of this including official Ascher Racing Artura wheel support to complement the feature set of both wheels and dash to create a seamless customer experience.

Find the latest Lovely Dashboard and installation instructions on the official website:

<https://github.com/cdemetriadis/lovely-dashboard>



The installation and configuration process are simple and straight forward:

1. Download and install the Roboto Font Family. Unzip Archive, right click and install font: <https://fonts.google.com/specimen/Roboto>
2. Download and install the Lovely Dashboard: <https://github.com/cdemetriadis/lovely-dashboard/releases>
3. Setup SimHub Action Triggers to control the Lovely Dashboard UI <https://github.com/cdemetriadis/lovely-dashboard/blob/main/docs/actions.md>
4. Optionally, extend and personalize the Lovely Dashboard by using the Settings File: <https://github.com/cdemetriadis/lovely-dashboard/blob/main/docs/settings.md>



### 9.12. Daniel Newman Racing LED Profiles

As alternative next to the official Ascher Racing Artura LED profiles, there are official 3<sup>rd</sup> party LED profiles with official Ascher Racing Artura support.

Daniel Newman Racing LED profiles offer a sophisticated feature set and work in true harmony with the Lovely Dashboard. They can be set-up easily via configuration files/ online configurator and are constantly maintained and improved.



More information, instructions and LED profiles can be found on the official website:  
<https://danielnewmanracing.com>

## 10. Ascher Racing Control Center

The Control Center software is used to change the behavior of the steering wheel such as button mapping, settings, modes, clutch curves etc.

Download the latest version from the website support section, unzip the file and start the software.

<https://ascher-racing.com/int/support>

Connect the steering wheel and click the gear icon to adjust settings.

### 10.1. Button Mapping

The output of all buttons can be assigned freely, numbers can be used multiple times to achieve many different scenarios. The assigned number is the button-ID that shows up in-game / SimHub when a button is pressed.

The only exceptions are the fixed ID (#0) of the top left DFU (Device Firmware Upgrade) button and the single-use of rotary switch modifier buttons (BTN 3 | 9) or (BTN 4 | 10) in case the modifier mode is activated (see chapter 10.3).

Possible scenarios for custom button mappings are:

- up- and downshift on both left and right double shifter
- multiple buttons for the same function (e.g. DRS on both secondary shifter paddles)
- independent encoder direction (turn in any direction for the same output)
- use different encoders for the same adjustments, accessibility in any situation
- quickly remap buttons without changing in-game configurations/ SimHub profiles
- simplify inputs for special environments, exhibitions (e.g. push any button to START)
- replicate button profiles from other wheels
- customize rotary switch numbers (e.g. to reduce positions)
- mirror functions of left and right joystick



ASCHER RACING

Ascher Racing Artura ULTIMATE

Home

Configuration Settings

Button Mapping


Device Info

DFU button: ID = #0

Fit Window

Write mapping

## 10.2. Configuration Settings



### Ascher Racing Artura ULTIMATE

⌵
⌵

Home

**Configuration Settings**

Button Mapping

Device Info

#### Analog Axis Mode

Gas & Brake
Dual Clutch (master right)
Dual Clutch (master left)

Bite-Point

-
45.0
+

●

#### Left Clutch

Linearity Mode

Progressive / Degressive
S-Curve
Custom Curve

Linearity Setting

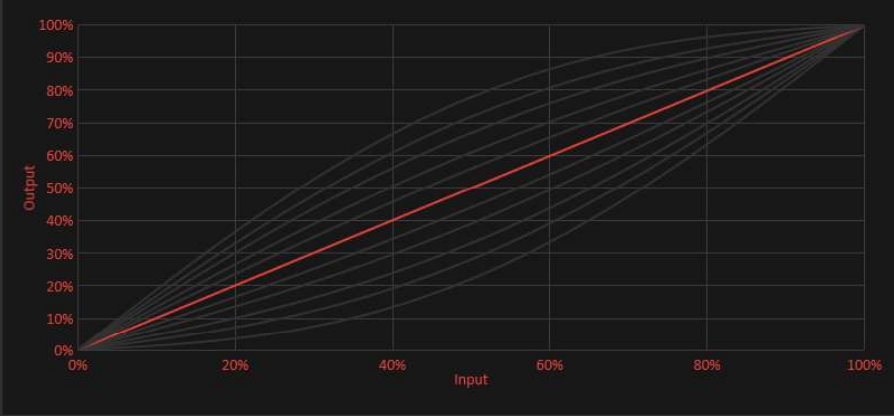
●

Deadzone High *i*

-
2.0
+

Deadzone Low *i*

-
2.0
+



#### Right Clutch

Linearity Mode

Progressive / Degressive
S-Curve
Custom Curve

Deadzone High *i*

-
2.0
+


Deadzone Low *i*

-
2.0
+

Profile 1 2 3 4 5

Output for Clutch Input

0% :	-	0	+
10% :	-	10	+
20% :	-	20	+
30% :	-	30	+
40% :	-	40	+
50% :	-	50	+
60% :	-	60	+
70% :	-	70	+
80% :	-	80	+
90% :	-	90	+
100% :	-	100	+



Write configuration

### 10.3. Analog Axis Mode

Both analog axes (clutch paddles) can be used as two individual axes, for example as Gas & Brake paddle.

In Dual Clutch mode, both axes are combined to a single output. The momentarily greater value of both clutch paddles defines the output. In this mode, one clutch paddle is defined as Master whereas the other one represents the Slave paddle.

The Slave is scaled down so that its physical maximum outputs the *Bite Point* value. This way, the precise Bite Point can be reached easily by pulling the slave clutch to its end-stop position. Furthermore, the sensitivity is increased since 100% physical movement is mapped to e.g. 50% output.

### 10.4. Clutch Settings

The Dead zones of each analog paddle can be defined on both end-stops. A small amount of approx. 2.0% is recommended to guarantee a perfectly stable signal of 0% in the resting position and 100% when pulled completely.

The linearity of each clutch paddle can be defined individually in order to change the relation between physical input and electronic output. There are 10 pre-defined linearity settings to quickly generate a progressive/ degressive or S-curve behavior.

A degressive curve can be very useful for the slave clutch in order to highly increase the sensitivity around the bite point. In contrast, a progressive behavior for the master clutch will increase the speed when the paddle is released during a race start.

S-curves can be very useful to change the feeling of gas and brake paddles if more or less precision is required at the maximum travel positions.

Custom clutch curves offer additional freedom to setup linearity curves without any limitations by changing individual data points. This way, it's possible to achieve even greater sensitivity at a specific output range to fine tune the absolute perfect standing race starts. This way, it's possible to map the physical 100% – 10% range of the clutch to an electronic output of 100% – 90%, hence increasing the sensitivity tenfold while the remaining 10% – 0% physical range is mapped to 90% – 0% output.

Spinning tires vs. engine RPMs plummeting can be fine-tuned with unmatched precision.

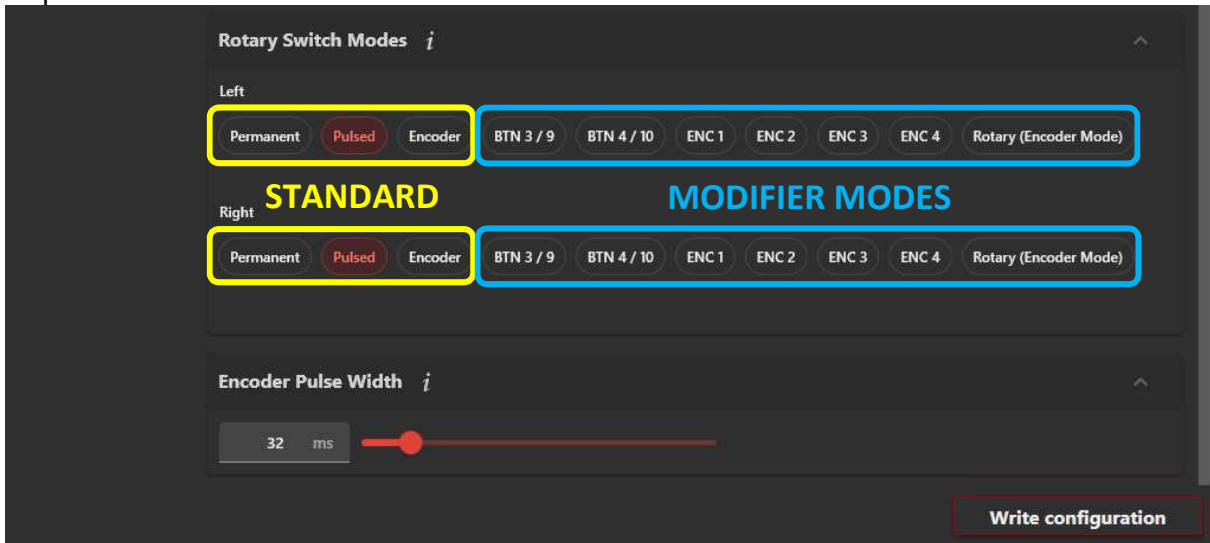
A total of 5 custom curve profiles can be saved for each left and right clutch paddle to quickly swap between different cars or testing purposes.

### 10.5. Encoder Pulse Width

The *Encoder Pulse Width* defines the duration of encoder pulses – how long the button is pressed for each detent. Short pulses allow for overall faster adjustments (e.g. reduce pit stop fuel level by 50 clicks) but might be too short to be recognized by the simulation. If an encoder is turned very quickly (a new detent is registered while the previous pulse is still active), the turning rate is limited by the pulse width. New pulses will be generated at the maximum rate that the encoder pulse width allows.

## 10.6. Rotary Switch Modes

Both Left and Right 12-Position Rotary Switches can be used in many different modes to suit all possible scenarios.



### STANDARD MODES:

- Permanent** Continuous output of the rotary switch position. The button output of the current position 1 - 12 is permanently ON. This can cause issues in several games, e.g. when trying to assign buttons. The in-game settings need to be set to *rotary mode*, NOT encoder; e.g. in iRacing when calibrating inputs: Use rotary knob (analog or digital)
- Pulsed** Similar to *Permanent*, but the output is triggered momentarily once the position changed. The duration of this pulse is defined by the *Encoder Pulse Width*. This avoids issues from the *permanent mode* but causes settings not to be applied automatically when entering the car. The in-game settings need to be set to *rotary mode*, NOT encoder; e.g. in iRacing when calibrating inputs: Use rotary knob (analog or digital)
- Encoder** Only 2 outputs - depending on the rotation direction (clockwise/ anti-clockwise). Useful for increase/ decrease functions instead of absolute positions. E.g. turn the knob clockwise to increase the Traction Control setting by 1 click.

**MODIFIER MODES:**

Modifier Modes (or Shift Modes) use the rotary switch as a selector to modify the output of other switches. It multiplies the functionality of certain switches/ buttons in a way where they can be used to control 12 different functions.

The graphic below shows which switches/ buttons are modified in their respective setting.

**BTN 3 / 9** Buttons #3 and #9 are modified. To alter the physical button pair which will be modified, change the Button Mapping. Whichever buttons are defined as ID #3 & #9 will be modified in this mode. The button IDs must be unique, which means that only one physical button can be mapped as #3 and #9.

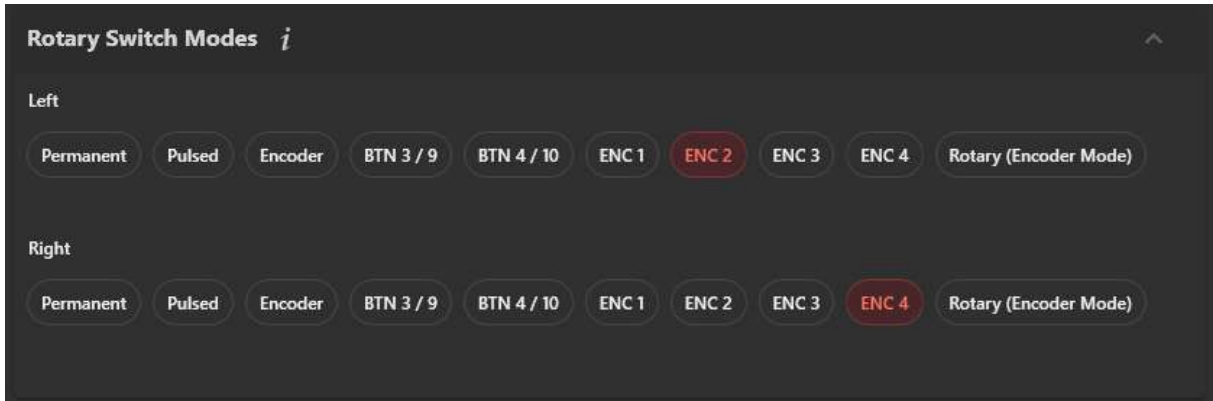
**BTN 4 / 10** The very same logic as *BTN 3 / 9* but the corresponding buttons IDs are #4 / #10.

**ENC 1 - 4** Thumb Encoders are modified in this mode. Refer to the graphic below regarding the assignment.

**Rotary (Encoder Mode)** The other Rotary Switch will be modified and has to be set to Encoder Mode. E.g. use the blue rotary as encoder and modify its output based on the position of the red 12-pos. Rotary Switch.



For example, set the *Rotary Switch Modes* as shown below in order to modify the output of the **red thumb encoder** with the position of the **red 12- pos. rotary** and to modify the output of the **blue thumb encoder** with the position of the **blue 12-pos. rotary**.

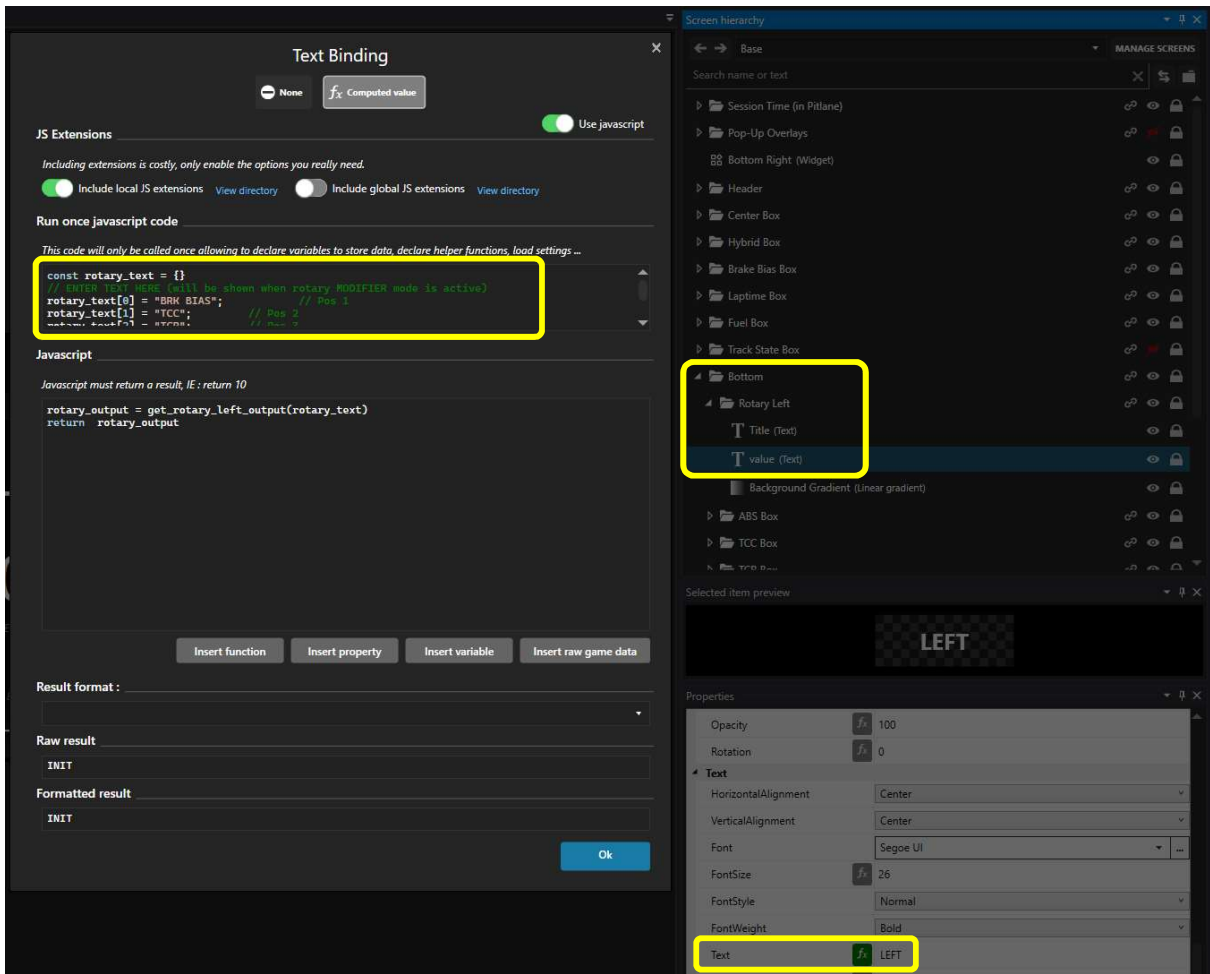


The following functions serve as an example of how the modified encoders could be configured in-game.

Red 12-pos.	Red Thumb Enc.	Blue 12-pos.	Blue Thumb Enc.
1	BRK BIAS	1	BRT BTN
2	TCC	2	BRT REV
3	TCR	3	BRT LCD
4	ABS	4	DDU PAGE
5	ENG	5	GAME VOL
6	MGU-K	6	SPOT VOL
7	DEPLOY	7	CHAT VOL
8	DIFF ENTRY	8	RADIO CH.
9	DIFF MID	9	CAMERA
10	DIFF EXIT	10	STRAT 5   6
11	FRONT ARB	11	STRAT 3   4
12	REAR ARB	12	STRAT 1   2

The official Ascher Racing Dashboard will display the text if the Modifier Mode is active. This way, all 24 mapped functions don't need to be memorized and the currently selected function is displayed. For Standard Rotary Switch Modes, the position numbers will be shown in the dashboard instead of text.

In order to change the text output, the following formula can be adjusted:  
 Edit Dashboard > Base Screen > Bottom > Rotary Left > value > Text





## 11. On-Wheel Settings

Several settings can be changed directly on the wheel without the need for additional software. The following picture shows the corresponding buttons and on-wheel functions.



### Bite-Point Setting

- ENTER: press *Right Joystick* button for 1s
- change 1.0%: turn *Left Joystick*
- change 0.1%: turn *Right Joystick*
- EXIT: press *Right Joystick* button for 1s

### Clutch Calibration

- press both *Calibrate Clutch* buttons for 1s (*left* buttons for *left* clutch and vice versa)
- pull and release clutch while status LED is on
- LED blinks after 3s: range is calibrated

### Analog Axis Mode

- ENTER: press both *Analog Axis Mode* buttons for 1s
- both status LEDs turn on
- press *Change Mode* button:
  - 1 x Gas & Brake
  - 2 x Dual Clutch (master right)
  - 3 x Dual Clutch (master left)
  - 0 / >3 x do not change mode
- EXIT: press both *Analog Axis Mode* buttons for 1s

### Reset to Factory Default

- press & hold *Factory Reset* button while connecting device to PC

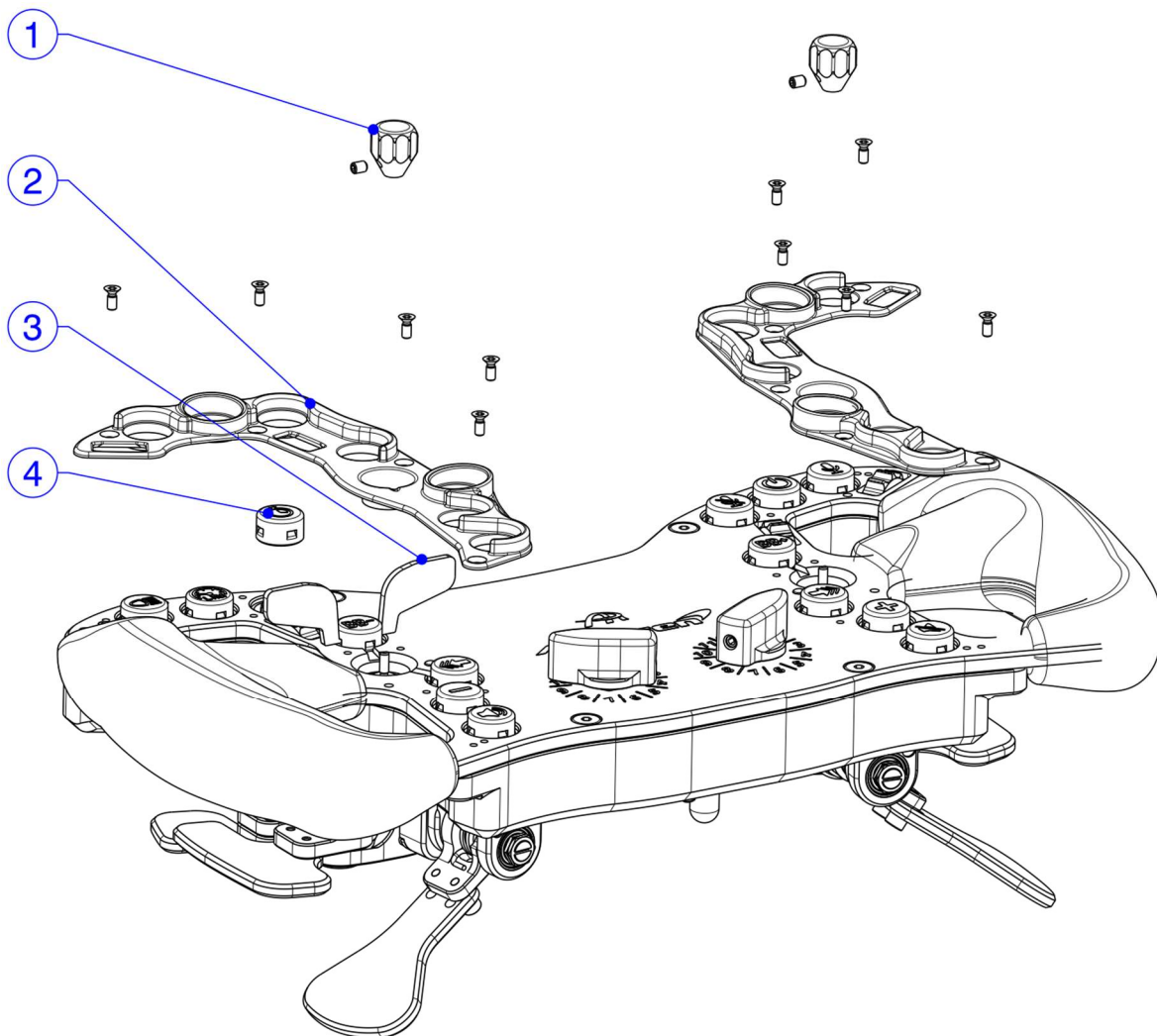


## 12. How to Change Button Caps

The button caps can be swapped easily without the need for extensive disassembly or opening of the steering wheel. To replace a symbol or change its position, the button cap can be pulled out of its carrier base and a new cap can be pushed in.

**To avoid scratches, either put paper between the removing tool and frontplate, or apply tape to the removing tool to protect the surface.**

1. unmount joystick knob (Allen key: 1.5mm)
  - hold knob with fingers when loosening or tightening the grub screw
  - this avoids any force applied to the joystick shaft and prevents damage/ bending
2. remove the surrounding button cover (Torx key: TX8)
  - unmount all black TX screws and remove the cover
  - pull-out notches can now be accessed for easy removal
3. insert both *button cap removing tools* into notches
4. pull-out the cap
5. push-in a new cap (pay attention to the symbol orientation)
6. mount cover (max. screw torque 0.3 Nm/ 2.6 lbs → easy hand-tight)
7. mount joystick knob (hold knob with fingers)



## 13. Upgrade Shifters and Clutch Paddles

Both Ascher Racing Gen6 single and double paddle shifters are interchangeable. The Artura GT4 and SPORT can be upgraded from the default single shifter to the double shifter and clutch paddles.

1. open the steering wheel as shown in chapter 8.5
2. unmount paddle shifters (Allen key: 2.5mm)
3. unplug shifter connection cables on both sides
4. guide new shifter connection cable through the casing
5. connect the cable with the shifter
6. mount paddle shifters (torque: 1.8 Nm)
7. adjust the shifter mode switch on the main PCB to DOUBLE
8. assemble steering wheel as shown in chapter 8.5

Plug-in the clutch paddle cables to the labeled 3-pin connectors next to the paddle shifters and calibrate them once as described in chapter 11.

## 14. Firmware Update

The firmware version of the wheel is shown in the *Control Center* under *Device Info*. Updates are available via the Ascher Racing support page:

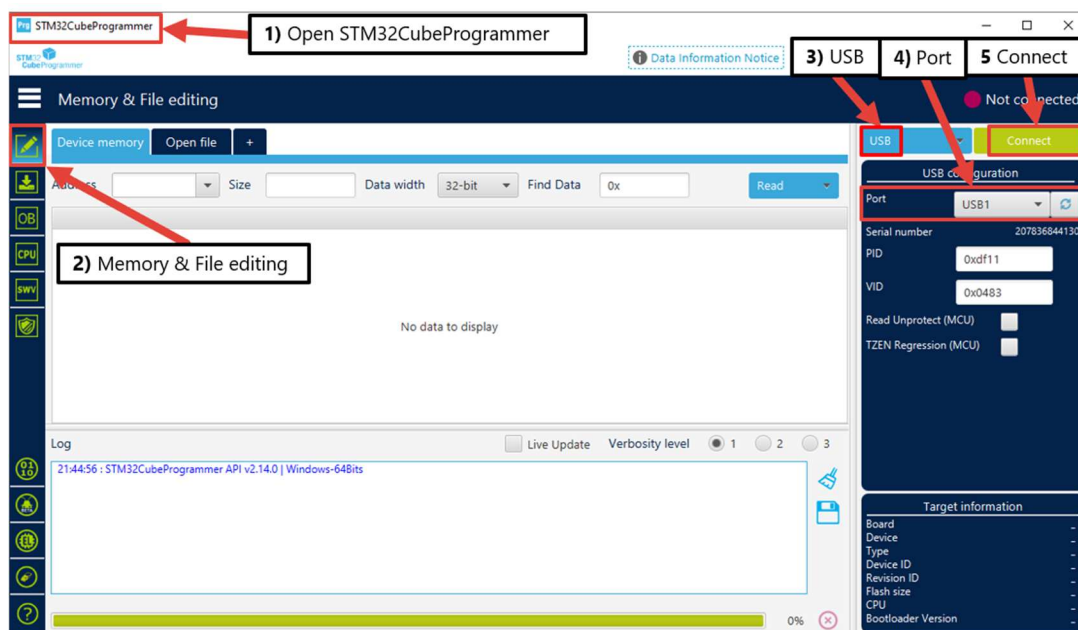
<https://ascher-racing.com/int/support>

In order to flash a new firmware to the wheel, the STM32 Cube Programmer is required:

<https://www.st.com/en/development-tools/stm32cubeprog.html>

Enter DFU Mode (Device Firmware Update) by pressing and holding the *Firmware Update* button on the wheel while connecting the device to the PC via coiled cable.

Follow steps as shown below to flash a new firmware to the wheel.



**6) Open file: select latest firmware for: GT4 / SPORT / PRO / ULTIMATE**

**7) Download**

Memory & File editing

Device memory: Artura\_ULTIMATE\_FW\_V1.0.hex

Address	0	4	8	C	ASCII
0x08000000	20020000	08008DF9	08008319	0800831B	... ù.....
0x08000010	0800831D	0800831F	08008321	00000000	.....!.....
0x08000020	00000000	00000000	00000000	08012031	.....1..
0x08000030	08008323	00000000	080120D1	0800FF35	#.....Ñ..5ÿ..
0x08000040	08008E49	08008E49	08008E49	08008E49	I...I...I...I...
0x08000050	08008E49	08008E49	08008E49	08008E49	I...I...I...I...
0x08000060	08008E49	08008E49	08008E49	08008325	I...I...I...%...
0x08000070	08008335	08008345	08008E49	08008E49	5...E...I...I...
0x08000080	08008E49	08008E49	08008E49	08008E49	I...I...I...I...

Log

```

21:46:55 : Size : 1024 Bytes
21:46:55 : Address : 0x8000000
21:46:55 : Read progress:
21:46:55 : Data read successfully
21:46:55 : Time elapsed during the read operation is: 00:00:00.045
21:47:51 : Read File: D:\firmware\Artura_ULTIMATE_FW_V1.0.hex
21:47:51 : Number of segments: 1
21:47:51 : segment[0]: address= 0x8000000, size= 0x15888
    
```

USB configuration

Port: USB1

Serial number: 20783684130

PID: 0xdf11

VID: 0x0483

Read Unprotect (MCU):

TZEN Regression (MCU):

Target information

Board: --

Device: STM32G47x/G48x

Type: MCU

Device ID: 0x469

Revision ID: --

Flash size: 512 KB - Default

CPU: Cortex-M4

Bootloader Version: --

**8) firmware programmed successfully**

**9) Disconnect and remove coiled cable**

Memory & File editing

Device memory: Artura\_ULTIMATE\_FW\_V1.0.hex

Address	0	4	8	C	ASCII
0x08000000	20020000	08008DF9	08008319	0800831B	... ù.....
0x08000010	0800831D	0800831F	08008321	00000000	.....!.....
0x08000020	00000000	00000000	00000000	08012031	.....1..
0x08000030	08008323	00000000	080120D1	0800FF35	#.....Ñ..5ÿ..
0x08000040	08008E49	08008E49	08008E49	08008E49	I...I...I...I...
0x08000050	08008E49	08008E49	08008E49	08008E49	I...I...I...I...
0x08000060	08008E49	08008E49	08008E49	08008E49	I...I...I...I...
0x08000070	08008335	08008345	08008E49	08008E49	5...E...I...I...
0x08000080	08008E49	08008E49	08008E49	08008E49	I...I...I...I...

Log

```

21:49:03 : erasing sector 0039 @: 0x08013800 done
21:49:03 : erasing sector 0040 @: 0x08014000 done
21:49:03 : erasing sector 0041 @: 0x08014800 done
21:49:03 : erasing sector 0042 @: 0x08015000 done
21:49:03 : erasing sector 0043 @: 0x08015800 done
21:49:03 : Download in Progress:
21:49:06 : File download complete
21:49:07 : Time elapsed during download operation: 00:00:04.523
    
```

Meldung

File download complete

USB configuration

Port: USB1

Serial number: 20783684130

PID: 0xdf11

VID: 0x0483

Read Unprotect (MCU):

TZEN Regression (MCU):

Target information

Board: --

Device: STM32G47x/G48x

Type: MCU

Device ID: 0x469

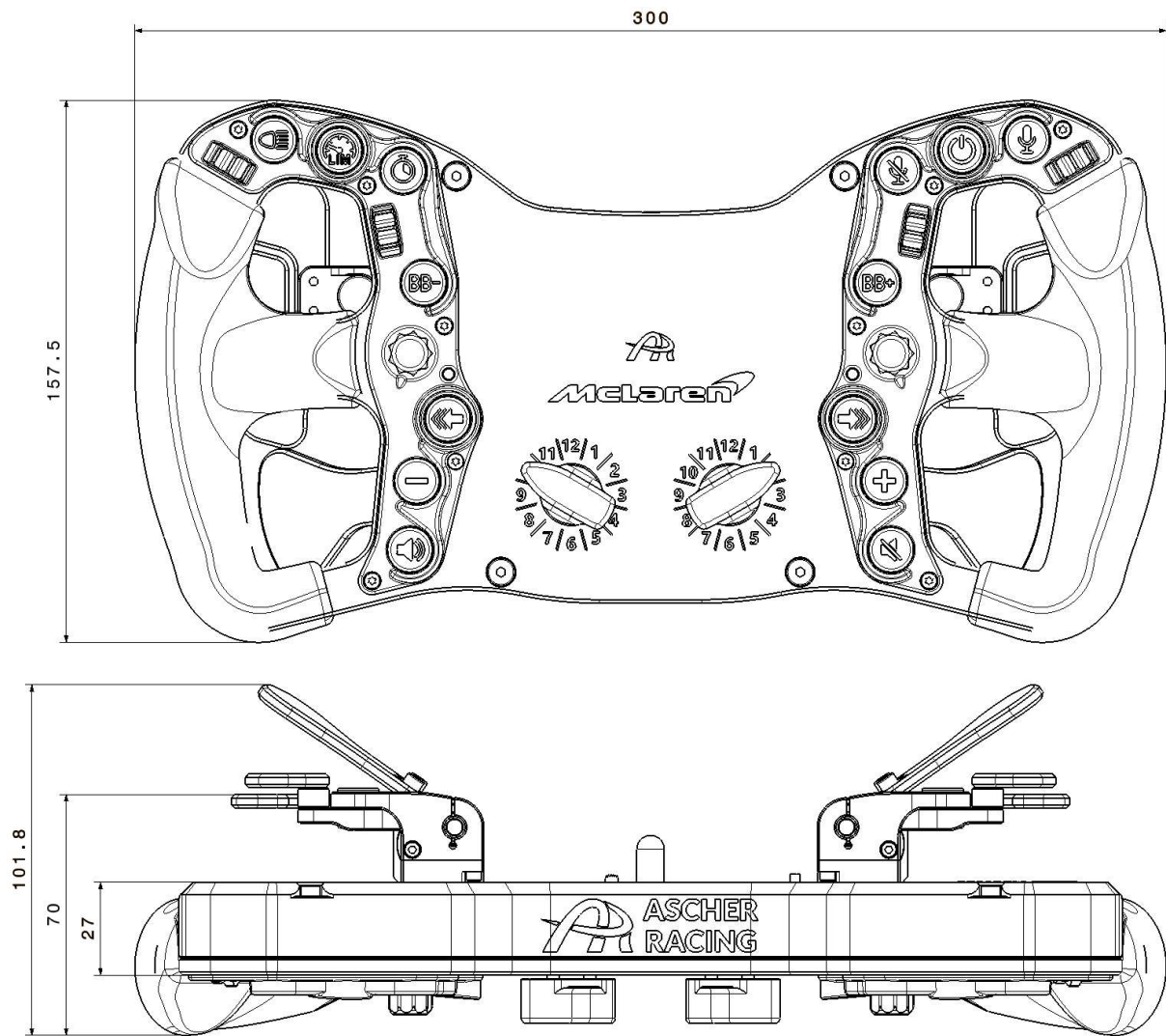
Revision ID: --

Flash size: 512 KB - Default

CPU: Cortex-M4

Bootloader Version: --

## 15. Steering Wheel Dimensions





**Now get back behind the wheel and enjoy!**

For questions that can't be answered within this manual, please don't hesitate and contact [info@ascher-racing.com](mailto:info@ascher-racing.com)

## Inhaltsverzeichnis

1. Safety Information.....	5
1.1. Intended Use .....	5
2. Declaration of Conformity .....	5
3. McLaren Licensing .....	6
4. Box Contents .....	6
5. Quick Start .....	7
6. Product Overview .....	8
7. USB Connection Methods .....	9
8. Quick Release Mounting Options.....	10
8.1. SC2 SQR WHEEL SIDE – Simucube Adapter .....	12
8.2. SC2 SQR WHEEL SIDE – Ascher Racing SQR Adapter .....	12
8.3. 70mm Bolt Pattern Quick Release – Outside Mounting .....	13
8.4. Asetek QR – internal USB connection .....	13
8.5. How to Open the Steering Wheel .....	14
8.6. M5 Threaded QRs.....	14
8.7. Fanatec Podium Hub .....	15
8.8. Fanatec QR2 .....	16
9. SimHub.....	17
9.1. Installation.....	17
9.2. Artura ULTIMATE Dashboard .....	18
9.3. LED Illumination .....	19
9.4. Default Lighting .....	20
9.5. Ascher Racing Artura Button LED Profile.....	20
9.6. Color Scheme.....	21
9.7. Button Press Effects .....	22
9.8. Telemetry Based Effects.....	23
9.9. Artura ULTIMATE Dashboard LEDs.....	23
9.10. RPM LEDs.....	24
9.11. Lovely Dashboard .....	26
9.12. Daniel Newman Racing LED Profiles.....	27
10. Ascher Racing Control Center.....	28
10.1. Button Mapping.....	28
10.2. Configuration Settings.....	30
10.3. Analog Axis Mode.....	31
10.4. Clutch Settings.....	31

10.5.	Encoder Pulse Width .....	31
10.6.	Rotary Switch Modes.....	32
11.	On-Wheel Settings .....	36
12.	How to Change Button Caps .....	37
13.	Upgrade Shifters and Clutch Paddles .....	38
14.	Firmware Update .....	38
15.	Steering Wheel Dimensions.....	40
1.	Sicherheitsinformationen .....	45
1.1.	Verwendungszweck.....	45
2.	Konformitätserklärung .....	45
3.	McLaren Lizenzierung.....	46
4.	Lieferumfang.....	46
5.	Schnellstartanleitung .....	47
6.	Produktübersicht.....	48
7.	USB Verbindungsoptionen.....	49
8.	Quick Release Montage-Optionen.....	50
8.1.	SC2 SQR WHEEL SIDE – Simucube Adapter .....	51
8.2.	SC2 SQR WHEEL SIDE – Ascher Racing SQR Adapter .....	51
8.3.	70mm Lochkreis Quick Release – Montage von außen .....	52
8.4.	Asetek QR – interne USB-Verbindung .....	52
8.5.	Anleitung zum Öffnen des Lenkrads .....	53
8.1.	.....	54
8.2.	.....	54
8.3.	.....	54
8.4.	.....	54
8.5.	.....	54
8.6.	M5 Threaded QRs.....	54
8.7.	Fanatec Podium Hub .....	54
8.8.	Fanatec QR2 .....	55
9.	SimHub.....	56
9.1.	Installation.....	56
9.2.	Artura ULTIMATE Dashboard .....	57
9.3.	LED Beleuchtung.....	58
9.4.	Standardbeleuchtung .....	59
9.5.	Ascher Racing Artura Button LED Profile.....	59
9.6.	Farbschema .....	60

9.7.	Button Push Effekte.....	61
9.8.	Telemetriebasierte Effekte.....	62
9.9.	Artura ULTIMATE Dashboard LEDs.....	63
9.10.	RPM/Drehzahl LEDs.....	63
9.11.	Lovely Dashboard .....	66
9.12.	Daniel Newman Racing LED Profile .....	67
10.	Ascher Racing Control Center.....	68
10.1.	Button Mapping.....	68
10.2.	Configuration Settings.....	70
10.3.	Analog Axis Modus .....	71
10.4.	Clutch Settings.....	71
10.5.	Encoder Impulsbreite .....	71
10.6.	12-Position Rotary Switch Modi.....	72
11.	On-Wheel Settings .....	76
12.	Ändern der Button Caps .....	77
13.	Upgrade der Shifter und Clutch Paddles .....	78
14.	Firmware Update .....	79
15.	Lenkrad Maße .....	81
	.....	82



## 1. Sicherheitsinformationen

Vielen Dank, dass Sie sich für den Kauf eines Ascher Racing McLaren Artura Lenkrads entschieden haben. Bitte lesen Sie sich das Handbuch sorgfältig durch, bevor Sie das Produkt verwenden.

### 1.1. Verwendungszweck

Das Lenkrad wurde für den Einsatz in einer wettbewerbsorientierten SimRacing-Umgebung konzipiert und ist nur für den Indoor-Bereich geeignet. Mittels USB-Schnittstelle wird das Lenkrad direkt mit dem Mainboard Ihres PCs verbunden.

Bitte beachten Sie folgende allgemeingültige Sicherheitsaspekte:

- Das Gerät darf weder Regen noch Feuchtigkeit ausgesetzt werden, um die Gefahr eines Brandes oder von Stromschlägen zu vermeiden.
- Betreiben oder lagern Sie das Gerät nur bei Raumtemperatur (15 °C bis 35 °C)
- Wir raten Ihnen dringend davon ab, unmittelbar nach dem Fahren einer Rennsimulation ein reales Fahrzeug zu fahren.
- Dieses Produkt ist nicht für Kinder unter 15 Jahren geeignet.
- Achtung, Verpackung enthält Kleinteile – Verschluckungsgefahr!
- Exzessives Fahren einer Rennsimulation kann Gesundheitsrisiken verursachen. Bitte legen Sie je 20 Minuten Spielzeit eine Pause von 5 Minuten ein und überschreiten Sie die Gesamtfahrzeit von 2 Stunden pro Tag nicht.
- Halten Sie Haare, Kleidung und Schmuck während des Gebrauchs vom Produkt fern.
- Bitte beachten Sie, dass das Produkt immer nur von einer Person genutzt werden darf. Halten Sie andere Personen während des Gebrauchs vom Produkt fern.
- Demontieren Sie das Produkt nicht weiter als in diesem Produkthandbuch beschrieben.
- Stellen Sie vor der Nutzung des Geräts sicher, dass das Lenkrad sicher an Ihrer Wheelbase befestigt ist und die Schrauben fest angezogen sind.
- Bitte setzen Sie das Gerät keinen hohen Temperaturen aus, z.B. in der Sonne oder in einem unbeaufsichtigten Fahrzeug. Bewahren Sie das Gerät vor direkter Sonneneinstrahlung und/oder hohen Temperaturen in Innenräumen geschützt auf, um potenziell auftretenden Schäden vorzubeugen.

## 2. Konformitätserklärung

Dieses Gerät entspricht den grundlegenden Anforderungen und anderen relevanten Anforderungen der Radio Equipment Directive (RED) (2014/53/EU).

Dieses Gerät entspricht Part 15 der FCC-Bestimmungen. Der Betrieb unterliegt den folgenden zwei Bedingungen:

- Dieses Gerät darf keine schädlichen Störungen verursachen
- Dieses Gerät muss alle empfangenen Störungen tolerieren, einschließlich Störungen, die einen unerwünschten Betrieb verursachen können.

Jegliche Änderungen oder Modifikationen, die nicht ausdrücklich von der KW Automotive GmbH genehmigt wurden, können zum Erlöschen der Berechtigung des Benutzers zum Betrieb des Geräts führen.

### 3. McLaren Lizenzierung

Die Ascher Racing McLaren Artura Lenkrad Serie wird unter der der Lizenz der *McLaren Automotive Limited* hergestellt. Der Name und das Logo "McLaren" sind eingetragene Marken von McLaren.

### 4. Lieferumfang

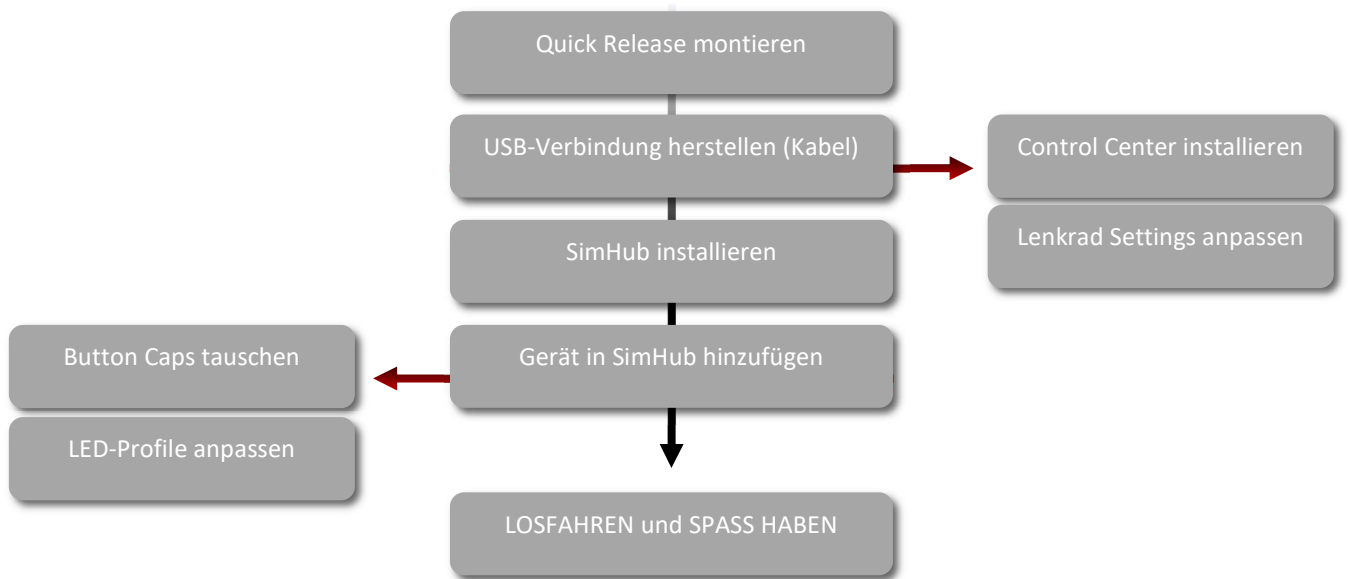
Folgende Komponenten und Zubehörteile sind Teil des Lieferumfangs:

- Artura GT4 | SPORT | PRO | ULTIMATE Lenkrad
- Kabel:
  - Spiralkabel (USB Typ A auf Binder M12)
  - USB-C Kabel (für interne Verbindung, z.B, via Asetek QR)
  - Aktive USB Verlängerung
- Schrauben und Unterlegscheiben zur Montage des Quick Releases
- Zusätzliche Button Caps mit verschiedenen Symbolen
- Alle nötigen Werkzeuge, um Button Caps, Knobs, QRs, etc. zu montieren:
  - 2 x Button Cap Removal Tool
  - Inbusschlüssel: 0.9, 1.5, 2.5, 4.0 mm
  - Torxschlüssel: TX8, TX20
  - Spiralkabelschlüssel (Binder Removal Tool)
- Aufkleber Set

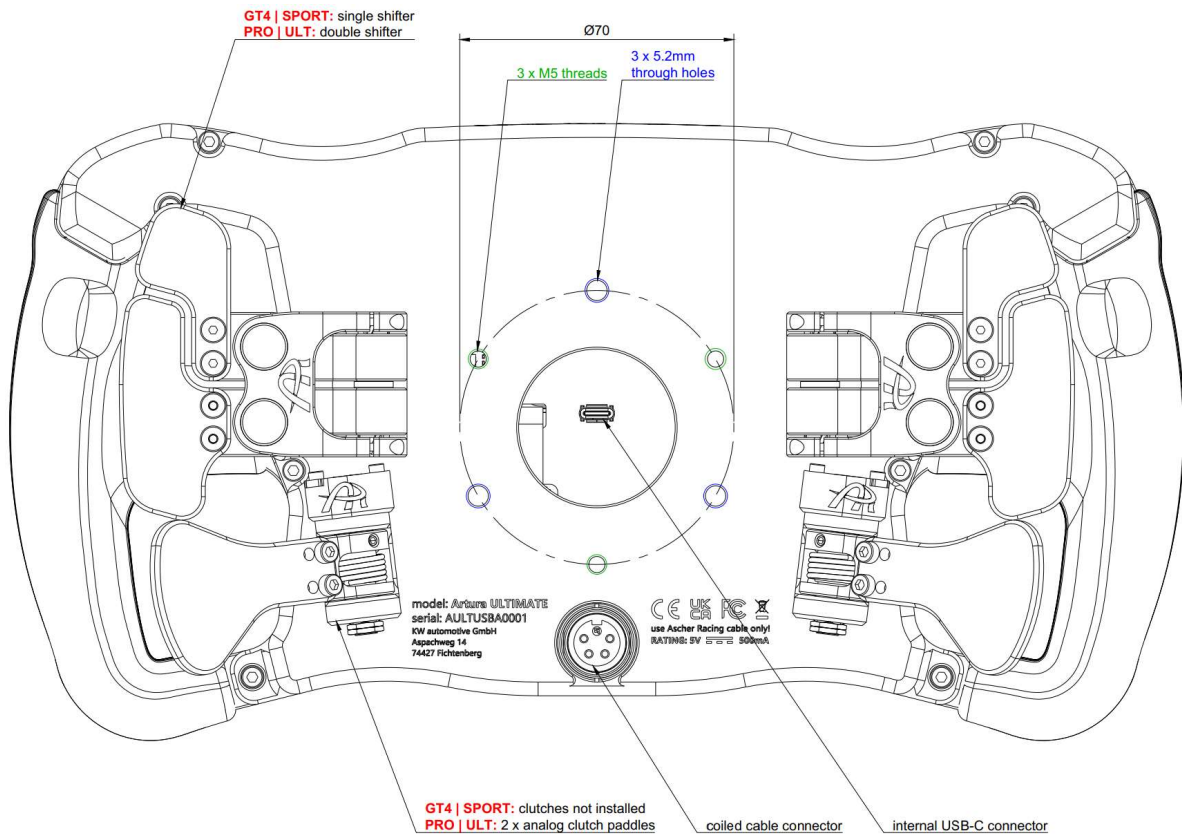
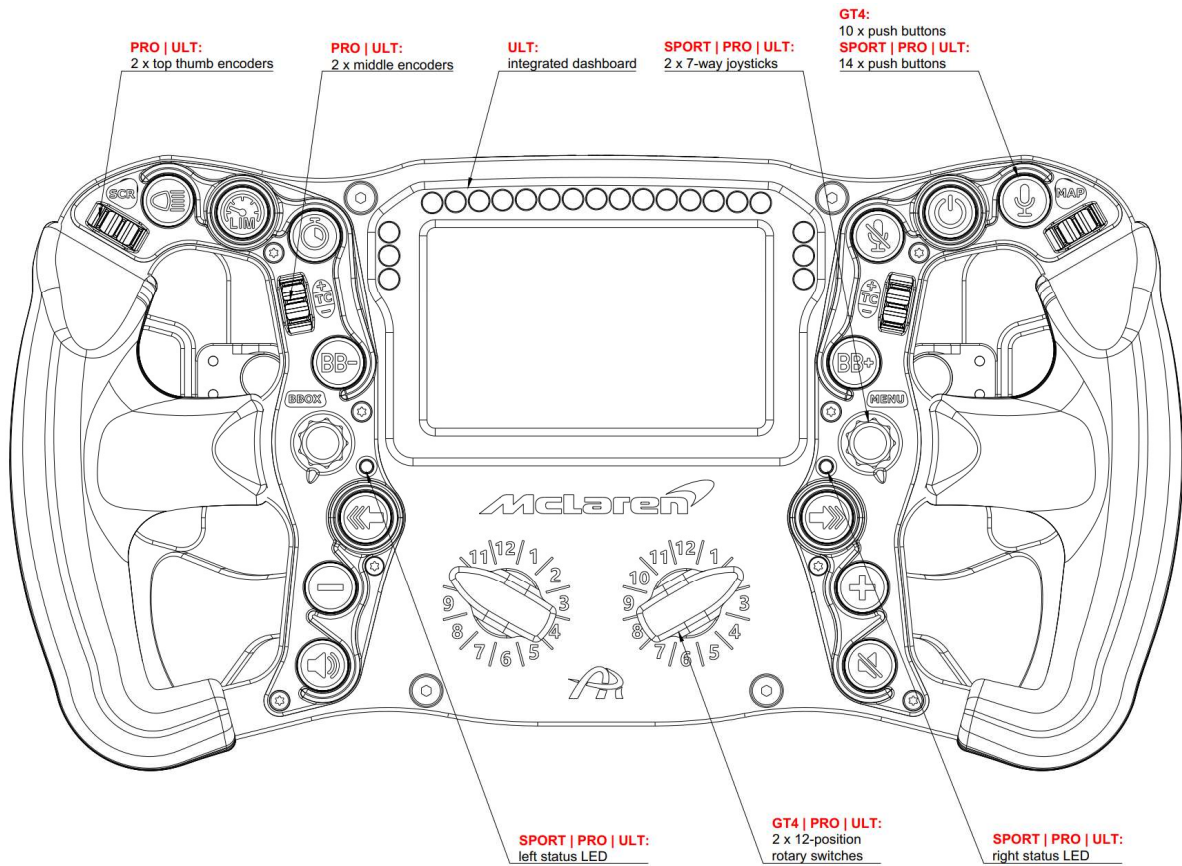
Artura GT4 | SPORT:

- Schrauben und Unterlegscheiben zur (optionalen) Montage von Clutch Paddles

## 5. Schnellstartanleitung



## 6. Produktübersicht



## 7. USB Verbindungsoptionen

Für alle Lenkräder der McLaren Artura Serie existieren zwei mögliche Optionen zum Anschluss via USB am PC:

1. Spiralkabel (Binderstecker, Rückseite)
2. Interne USB-C Verbindung (USB-C Stecker, Öffnung auf Rückseite)

Das Spiralkabel ist die Standardverbindungsmethode und, wie in Kapitel 14 beschrieben, für Firmware-Updates erforderlich. Bei Quick Releases mit interner USB-Pass-Through-Verbindung (z. B. Asetek) kann alternativ der USB-C-Anschluss in der Öffnung der Rückseite des Lenkrads verwendet werden.

**Beide Verbindungsmethoden können gleichzeitig verwendet werden, ohne dass das Risiko einer Beschädigung des Hosts/PCs oder des Lenkrads besteht. Wenn beide Kabel angeschlossen sind, schaltet die lenkradeigene Elektronik automatisch auf das Spiralkabel um.**

Bei eventuell auftretenden Verbindungsproblemen bei der Nutzung der internen USB-C Verbindung, beispielsweise aufgrund eines verschlissenen Schleifrings in der Wheelbase, kann das Spiralkabel jederzeit als Ersatzoption verwendet werden. Dabei muss das USB-C-Kabel weder abgezogen noch in der Wheelbase entfernt werden.

Aufgrund der optimierten Elektronik und Firmware in Bezug auf niedrigen Stromverbrauch erfüllen die Artura USB-Lenkräder (einschließlich des ULTIMATE-Modells mit Bildschirm) die **USB2.0-Spezifikation von 500mA / 5V**.

Insbesondere beim Artura **ULTIMATE** ist es notwendig, dass die Verbindungsmethode die Versorgung mit 500mA / 5V sicherstellt. Umstände, die die notwendige Stromversorgung einschränken, können zu einer erfolglosen USB-Verbindung führen. Der Bildschirm des Lenkrads ist besonders empfindlich gegenüber schlechter Stromversorgung und wird sich in diesen Fällen nicht verbinden. Der Verbindungsstatus des Geräts in SimHub wird in diesem Fall „teilweise verbunden“ anzeigen.

Um die erforderliche Stromversorgung sicherzustellen, werden die folgenden Verbindungsmethoden empfohlen:

- Verbinden Sie das Spiralkabel direkt mit dem PC
- Verteilen Sie die Last anspruchsvoller USB-Geräte auf verschiedene Mainboard-Chipsets
- Verwenden Sie unterschiedliche Ports 2.0 / 3.0 / 3.1 für anspruchsvolle Geräte (Bildschirme / Dashboards)
- Um herauszufinden, wie die Geräte verteilt werden sollen, ziehen Sie zuerst alle Geräte ab und schließen Sie sie nacheinander wieder an, beginnend mit dem Lenkrad
- Aktualisieren Sie das Mainboard-BIOS auf die neueste Firmware

Wenn das Spiralkabel entweder zu kurz ist, um den PC zu erreichen, oder das Mainboard Probleme hat, die notwendige Stromversorgung zu liefern, wird ein USB 2.0 oder höher betriebener Hub empfohlen:

- Der betriebene Hub muss >500mA pro Port liefern
- Einige Hubs haben immer noch Probleme, wenn zu viele anspruchsvolle Geräte angeschlossen sind
- Entfernen Sie andere Geräte vom Hub

Vermeiden Sie die Verwendung eines Verlängerungskabels, um das Spiralkabel zu verlängern, aufgrund eines unvermeidbaren Spannungsabfalls. Das mitgelieferte USB-Verlängerungskabel dient lediglich dazu, um den Hub in Reichweite des Spiralkabels zu montieren.

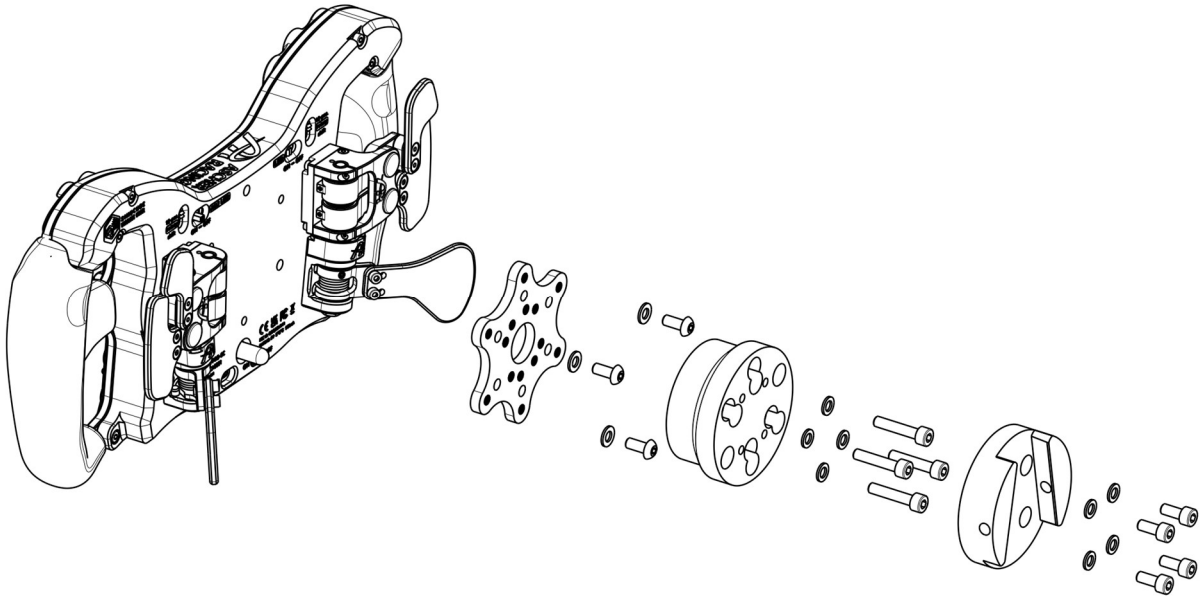
## 8. Quick Release Montage-Optionen

Alle Lenkräder kommen standardmäßig mit einem 6x 70-mm-Lochkreis, wobei 3 Durchgänge mit M5-Gewinde und 3 Durchgänge mit Durchgangslöchern ausgestattet wurden, um maximale Kompatibilität zu ermöglichen, wie die folgende Produktübersicht zeigt. Ausnahme: Das McLaren Artura GT4 verfügt über einen 3x 50mm Lochkreis, hierbei kommen alle 3 Durchgänge mit M5-Gewinde.

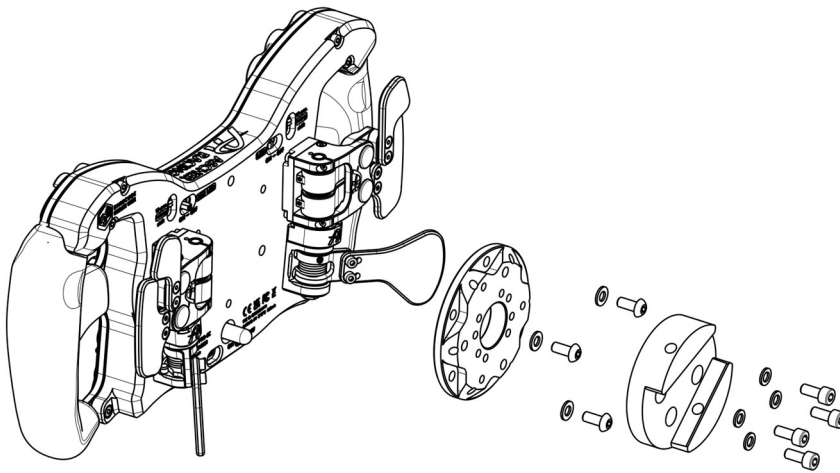
Dank des standardisierten Lochkreises bieten Ihnen die Lenkräder die Möglichkeit einer sicheren 3-Schrauben-Befestigung des QRs. Diese wird unabhängig vom QR-Design (Durchgangslöcher, Sacklöcher mit Gewinde usw.) für die Montage von außen und von innen sichergestellt.

Für alle marktüblichen QRs gibt es mehrere mögliche Montagemöglichkeiten, welche nachfolgend gezeigt werden. Adapter und/oder QRs sind nicht Teil des Lieferumfangs und müssen separat erworben werden.

### 8.1. SC2 SQR WHEEL SIDE – Simucube Adapter



### 8.2. SC2 SQR WHEEL SIDE – Ascher Racing SQR Adapter

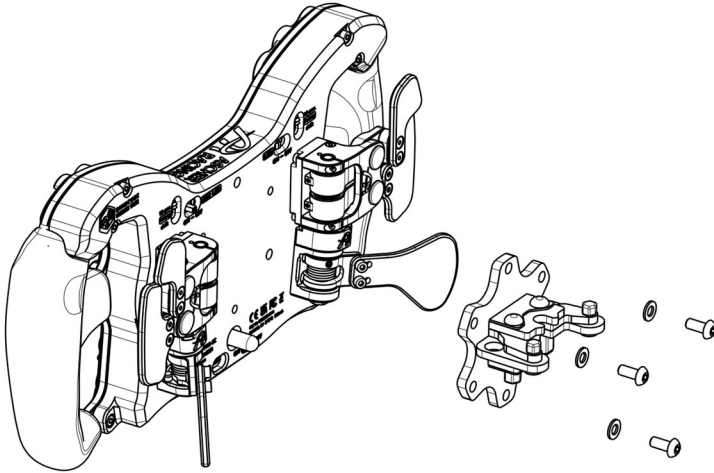




### 8.3. 70mm Lochkreis Quick Release – Montage von außen

Standard QRs mit 70mm Lochkreis und Durchgangslöchern können mittels des M5 Gewindes direkt von außen montiert werden, ohne dass das Lenkrad geöffnet werden muss.

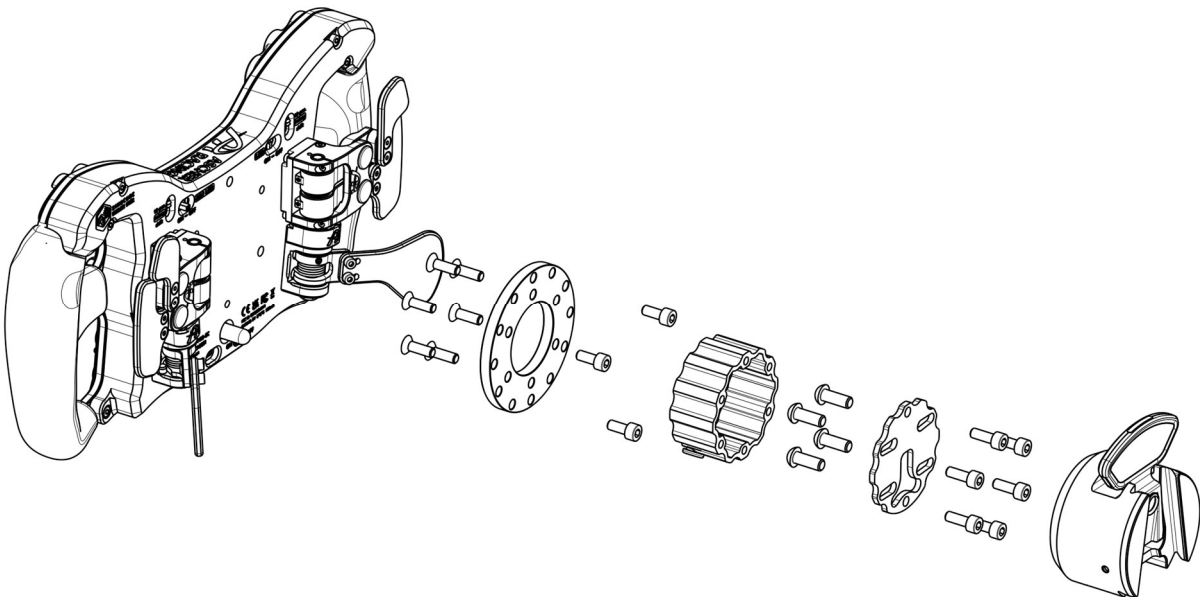
Q1R:



### 8.4. Asetek QR – interne USB-Verbindung

Mit einer Asetek Wheelbase und entsprechendem QR ist es möglich die interne USB-C Verbindung des Lenkrads zu nutzen. Dadurch kann das Spiralkabel entfernt werden und es ist ein "kabelloser" Betrieb möglich. Um diesen Vorteil nutzen zu können, benötigt es einen speziellen mit einer USB-C Platine ausgestatteten QR, welcher im Ascher Racing Shop verfügbar ist: <https://ascher-racing.com/de/shop>.

Um die Verbindung herzustellen, schließen sie einfach das kurze USB-C auf USB-C Kabel an Lenkrad und QR an und drehen es ein paar Mal, um eine optimale Kabelführung zu erzeugen. Anschließend montieren sie den QR wie auf der nachfolgenden Abbildung beschrieben.

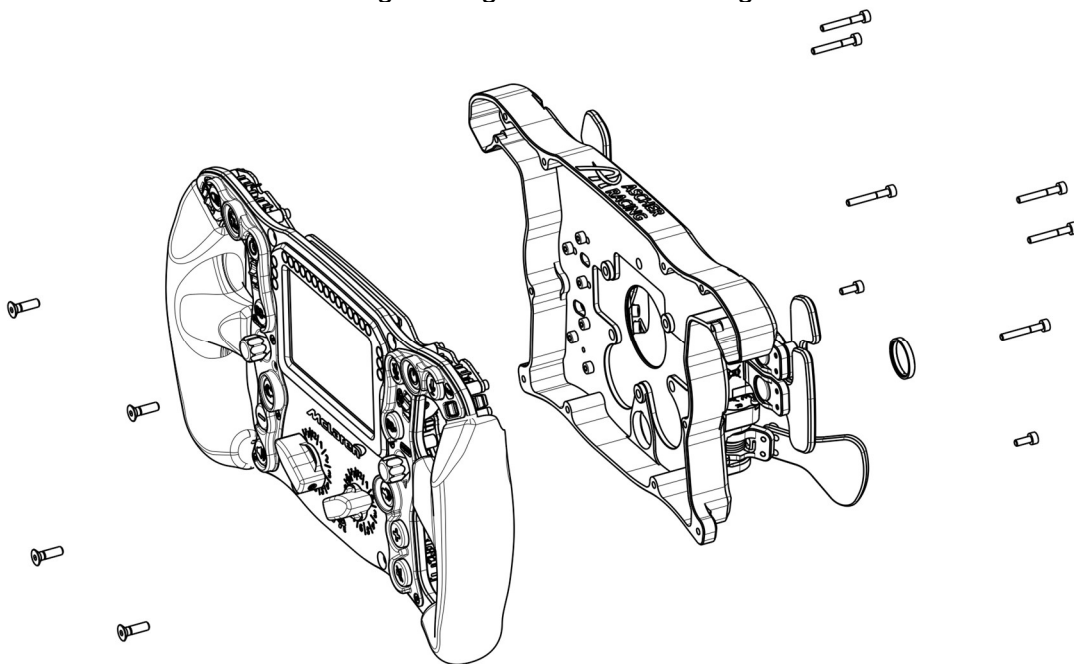




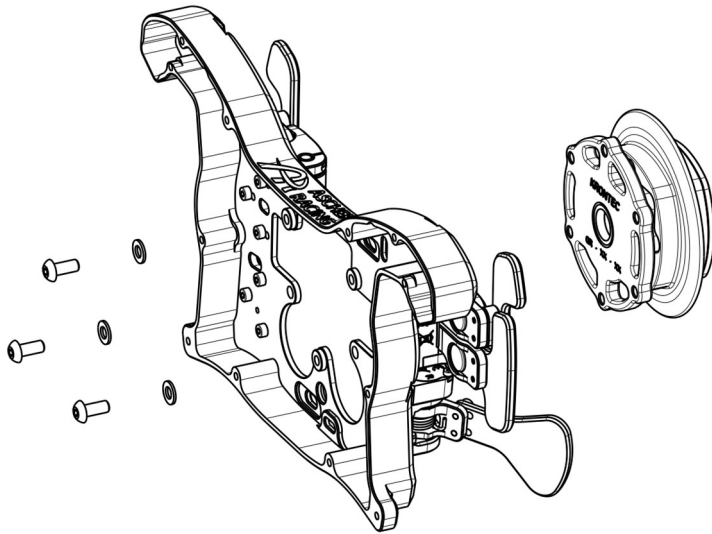
### 8.5. Anleitung zum Öffnen des Lenkrads

Quick Releases mit Sacklöchern und M5-Gewinde oder anderen Features, die eine herkömmliche Montage verhindern, können von der Innenseite des Gehäuses angebracht werden. Öffnen Sie dafür das Lenkrad wie folgt:

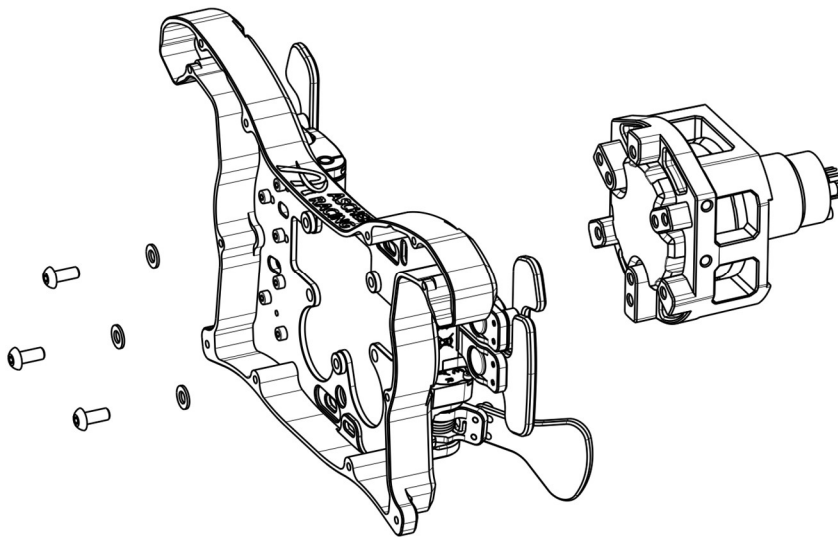
1. Entfernen Sie die Mutter des Spiralkabelanschlusses (Werkzeug im Lieferumfang enthalten).
2. Entfernen Sie **alle** (4 Stück) schwarzen M4-Senkkopfschrauben an der Frontplatte (Torx-Schlüssel: TX20).
3. Entfernen Sie **alle** (8 Stück) M3-Schrauben auf der Rückseite (Inbusschlüssel: 2,5 mm).
4. Ziehen Sie die Kabel der Schaltwippen/Kupplungswippen ab, um das hintere Gehäuse vollständig zu trennen
5. Montieren Sie den QR wie unten gezeigt
6. **Achten Sie darauf, keine Kabel zu quetschen (Frontplatte und Gehäuse müssen sich ohne Widerstand berühren)**
7. Der Zusammenbau erfolgt in umgekehrter Reihenfolge



### 8.6. M5 Threaded QRs



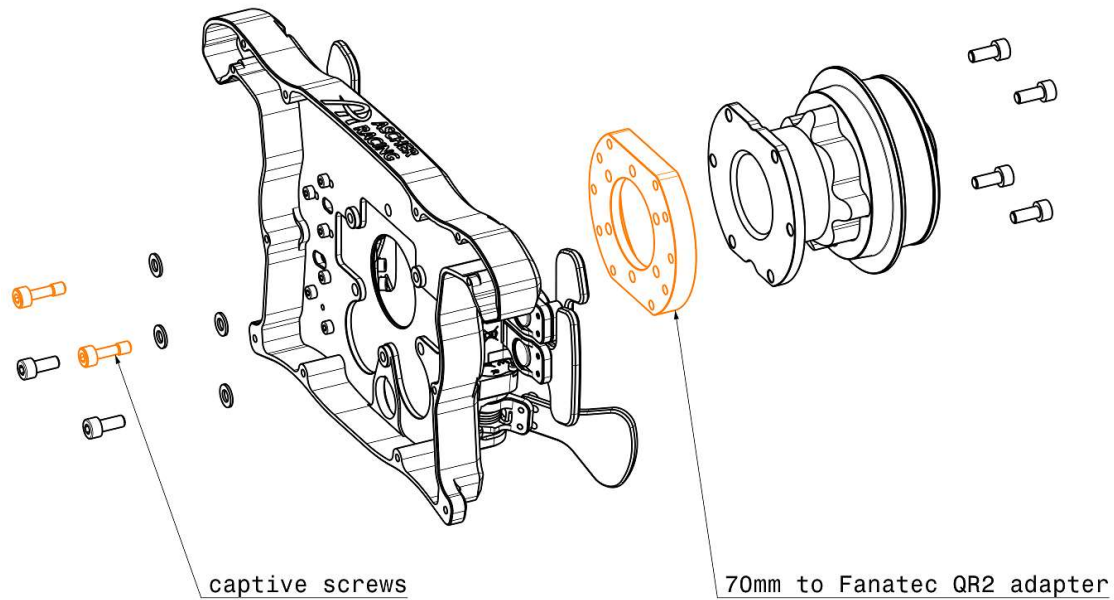
### 8.7. Fanatec Podium Hub



### 8.8. Fanatec QR2

Fanatecs QR2 Quick Releases verfügen über einen nicht standardisierten Lochkreis und erfordern **zusätzliche Hardware**:

- QR2 zu 70mm Adapter (z.B. SIM RACING MACHINES)
- Captive Screws um M5 Gewinde des Lenkradgehäuses zu umgehen (zu finden im Shop unter „Zubehör“)



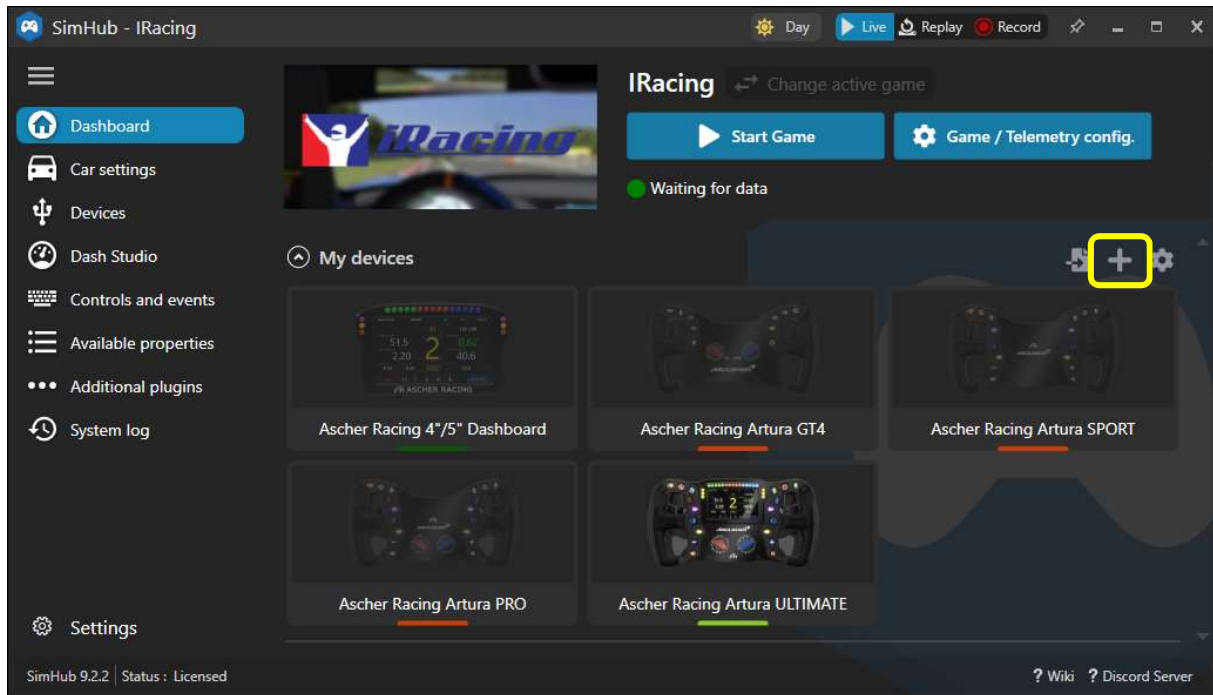
## 9. SimHub

### 9.1. Installation

Laden Sie die neueste Version von SimHub von der offiziellen Website herunter und befolgen Sie die Installationsanweisungen Schritt für Schritt:

<https://www.simhubdash.com/download-2/>

Fügen Sie Ihr Lenkrad hinzu, indem Sie in der Kategorie "Dashboard" auf + klicken.

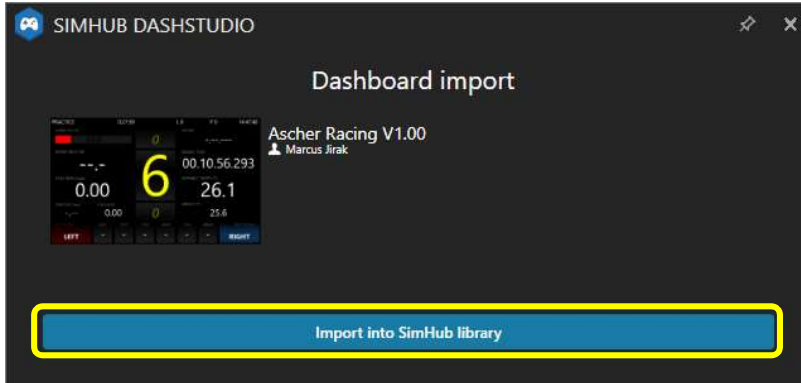


## 9.2. Artura ULTIMATE Dashboard

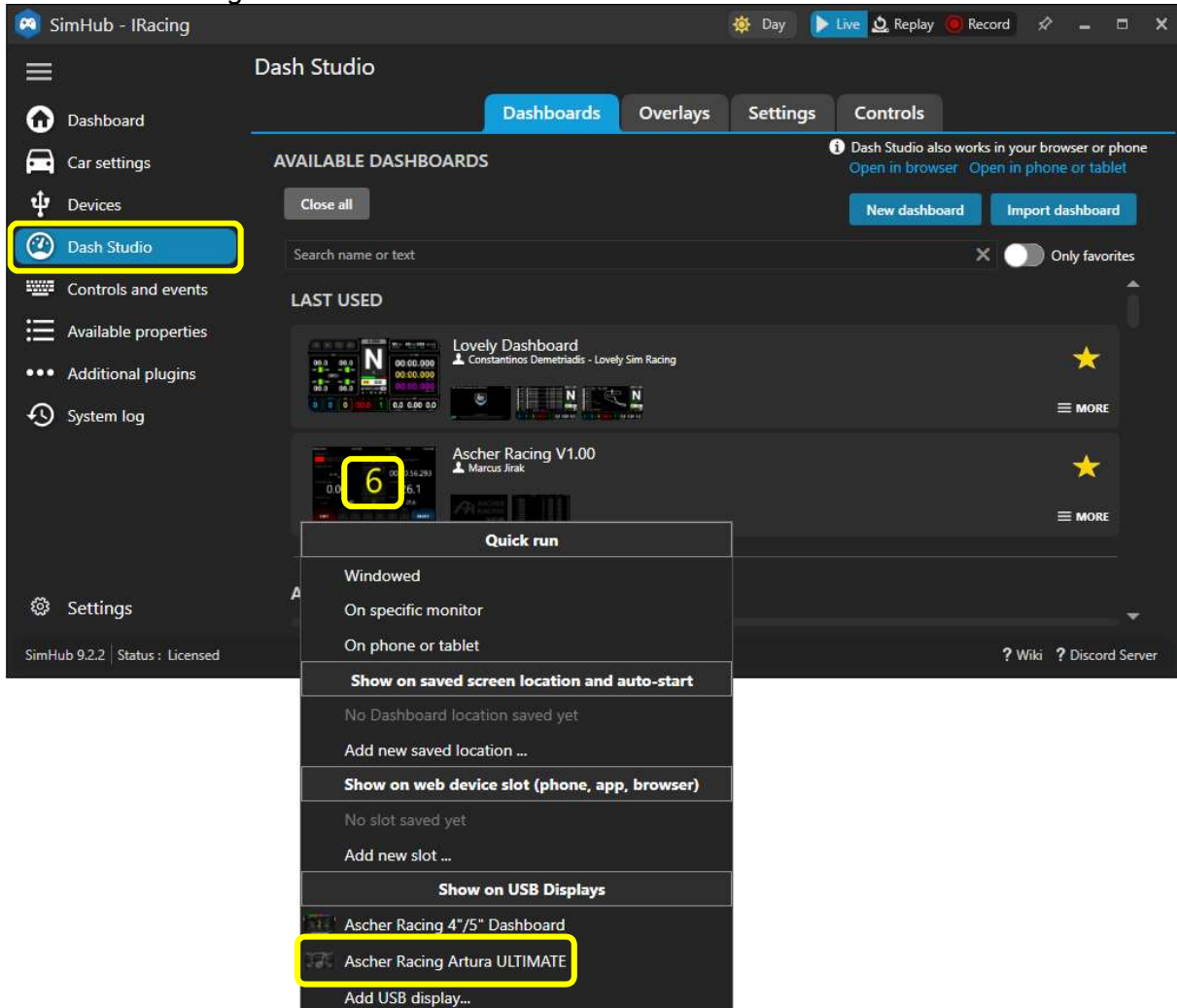
Laden Sie die neueste Version des Ascher Racing Dashboard von der Ascher Racing Support Seite herunter und installieren Sie diese per Doppelklick:

Ascher Racing V1.00.simhubdash

<https://ascher-racing.com/int/downloads?open=wheels>



Um das Dashboard zu starten, öffnen Sie das *Dash Studio*, klicken Sie *Start* und wählen Sie das *Ascher Racing Artura ULTIMATE* aus:



Speziell für **iRacing** wird Ihnen die Installation von **Romain Rob's iRacing Extra Properties Plugin** wärmstens empfohlen, um die vollständige Funktionalität des Dashboards zu gewährleisten.

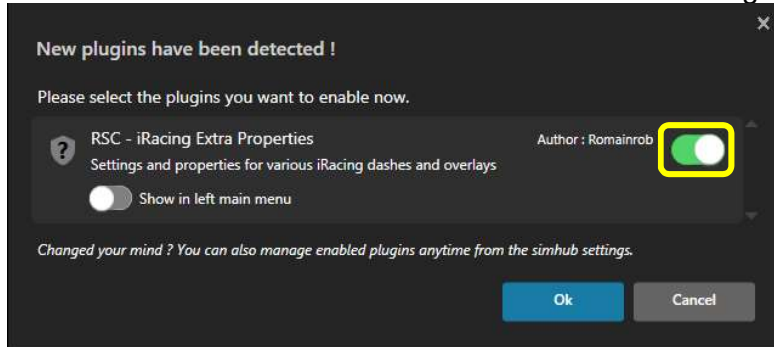
Laden Sie hierfür diese beiden Dateien  
RSC.iRacingExtraProperties.dll  
RSC.iRacingExtraProperties.pdb  
von Romain Rob's Google Drive herunter

[https://drive.google.com/drive/folders/1AiIWHviD4j-D-zgRrjJU1AFhJ\\_xmass](https://drive.google.com/drive/folders/1AiIWHviD4j-D-zgRrjJU1AFhJ_xmass)

und speichern Sie diese in Ihrem SimHub Installationsordner, z.B.:

C:\Program Files (x86)\SimHub

Starten Sie SimHub neu und aktivieren Sie das neue Plugin:



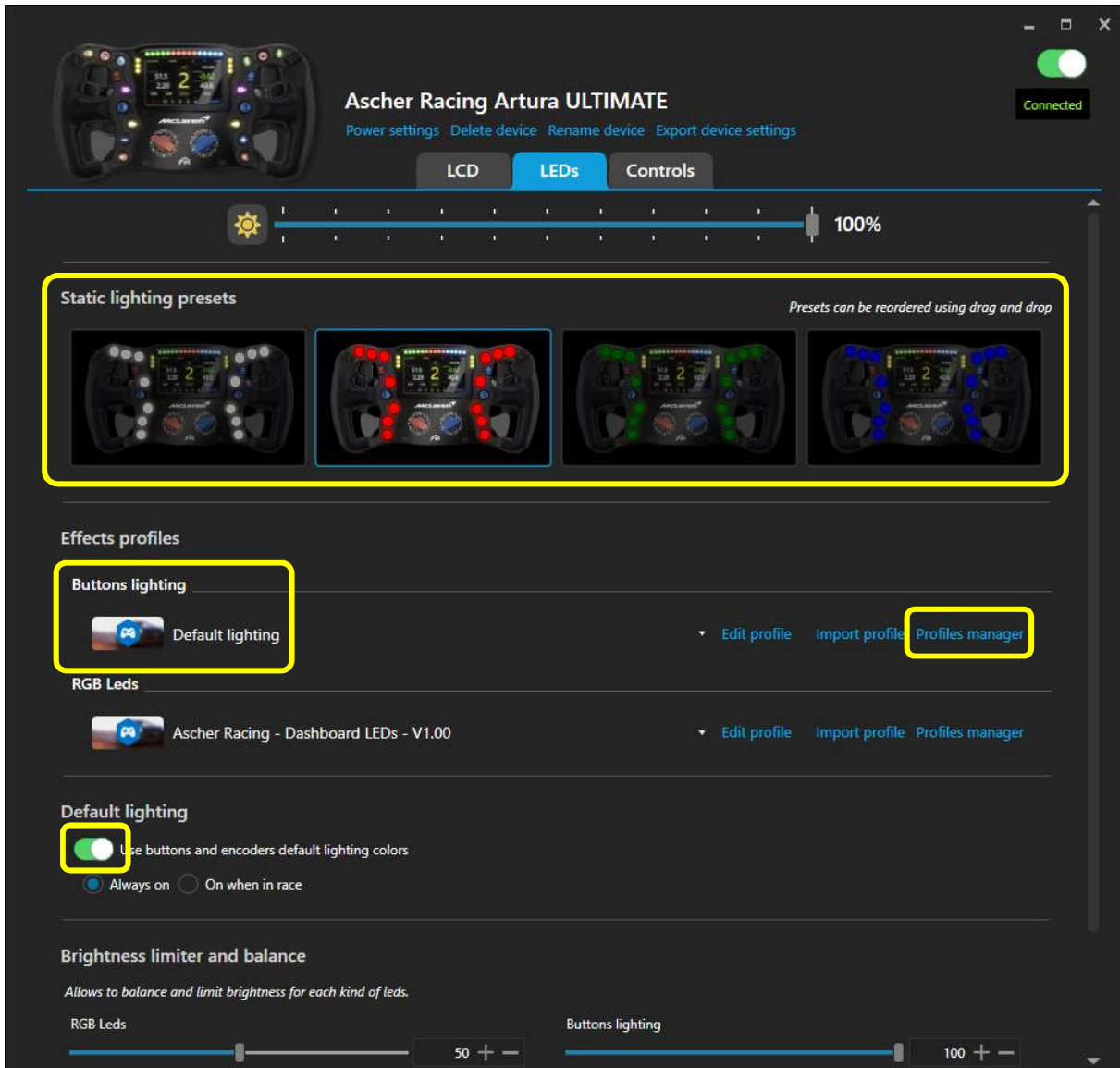
### 9.3. LED Beleuchtung

Alle LEDs (sowohl die der Buttons als auch die des Dashboards) können ohne Einschränkung angesteuert werden. Zur Wahl stehen über 16 Millionen mögliche Farben, entweder statische Beleuchtung, animierte Effekte oder vollständig Live- und Telemetrie-gesteuerte Effekte. Standardmäßig werden offizielle LED-Profile von Ascher Racing eingesetzt – prüfen Sie auf der Support-Seite, ob es Profilaktualisierungen gibt.

## 9.4. Standardbeleuchtung

Um die statische LED-Beleuchtung ohne Effekte, Animationen oder Telemetriesteuerung zu verwenden, aktivieren Sie *Default lighting* und erstellen Sie ein *neues (empty)* LED-Profil (jeder LED-Effekt innerhalb des Profils wird die standardmäßige statische Beleuchtung überschreiben):

Buttons lighting > Profiles manager > NEW PROFILE > OK > LOAD



## 9.5. Ascher Racing Artura Button LED Profile

Das offizielle Ascher Racing Artura Button LED-Profil wird als Standard festgelegt, sobald das Gerät in SimHub hinzugefügt wurde. Das Profil ist so konzipiert, dass es ohne Änderungen mit allen Lenkrädern der Serie funktioniert. Um der LED-Reihenfolge der anderen Modelle der Serie trotz der niedrigeren Gesamtanzahl an LEDs zu entsprechen, verfügt das McLaren Artura GT4 über zwei „leere“ LEDs an Position 6 und 7. Auf diese Weise sind keine Modifikationen am GT4-Lenkrad erforderlich und alle LED-Profile von Drittanbietern können ohne Änderungen verwendet werden.

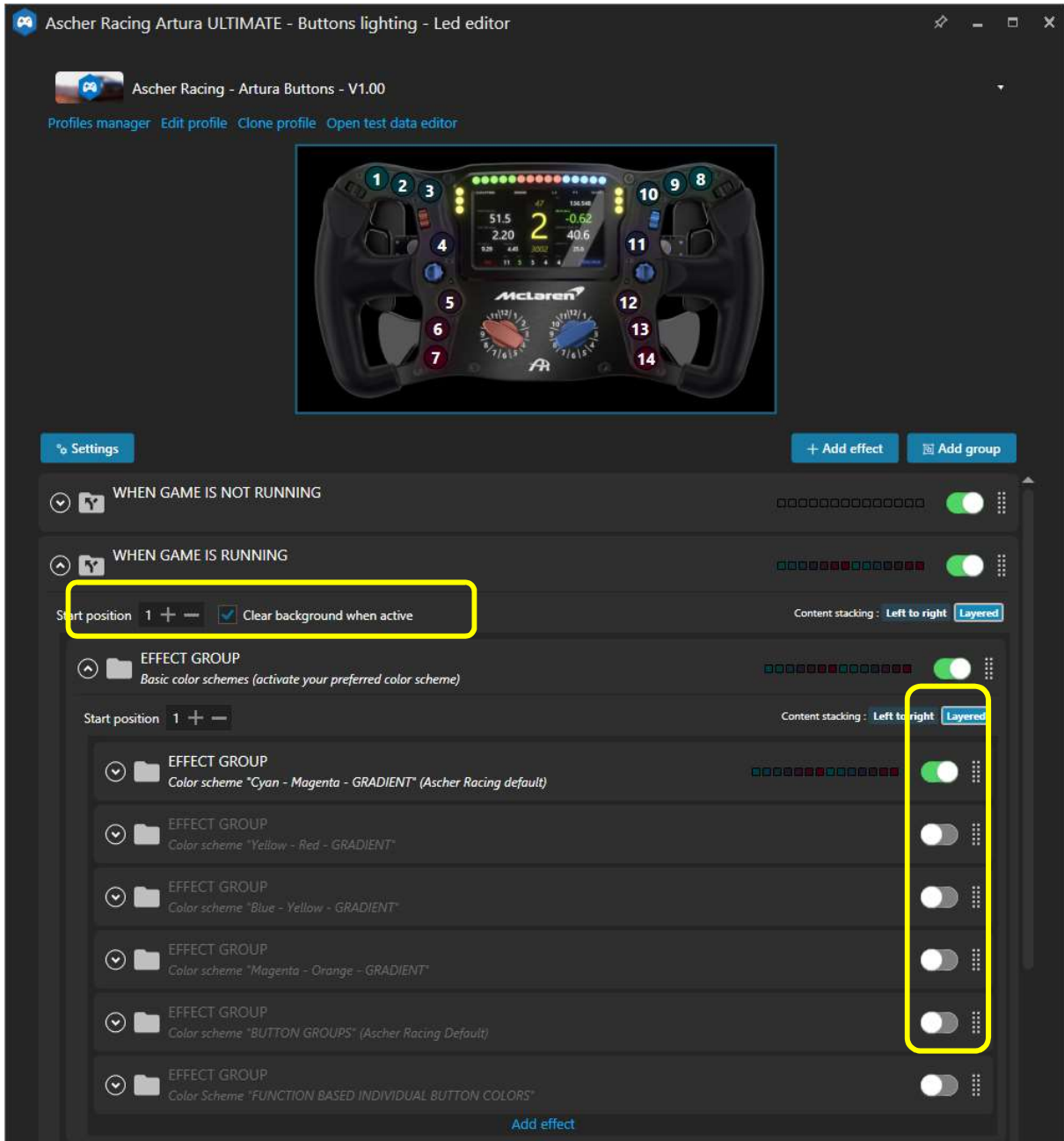
Das Grundkonzept des offiziellen Beleuchtungsprofils besteht aus einem Farbschema als Base Layer und Push-/Telemetrie-basierten Effekten darüber. Die Grundfarben sind bewusst



gedimmt, sodass bestimmte Effekte oder Warnungen im unmittelbaren Vergleich deutlich heller wirken.

### 9.6. Farbschema

Wählen Sie ein vordefiniertes Grundfarbschema und bearbeiten Sie bei Bedarf gesamte Farbverläufe oder einzelne LEDs:



Hintergrundfarben werden auch hier absichtlich abgedunkelt, damit (nicht abgeblendete) Effekte auf den darüber liegenden Ebenen optisch stärker zur Geltung kommen.

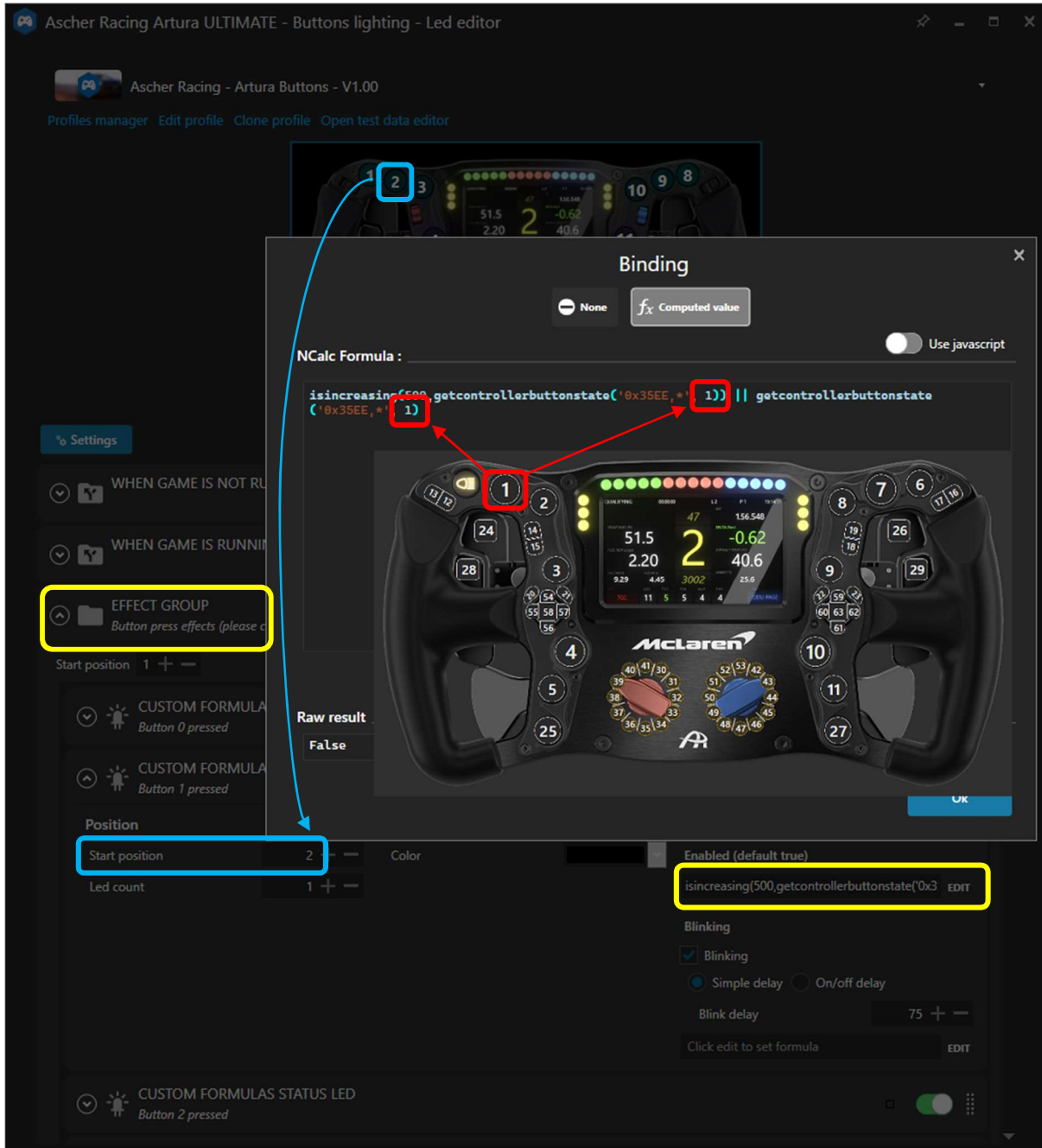


### 9.7. Button Push Effekte

Das Standardverhalten der LEDs beim Drücken von Pushbuttons ist ein schnelles Blinken für 0,5 Sekunden, dabei ist es egal ob der Button kurz oder dauerhaft gedrückt wird. Dieser Effekt kann für jede einzelne Taste unter *EFFECT GROUP > Button press effects* angepasst werden. Allerdings müssen sowohl die LED-Position als auch die Button-ID korrekt eingerichtet werden:

- Startposition: LED-Position entsprechend der Zahl in der Lenkervorschau
- Button-ID: Tastennummer gemäß Button Mapping (siehe Kapitel 10.1)

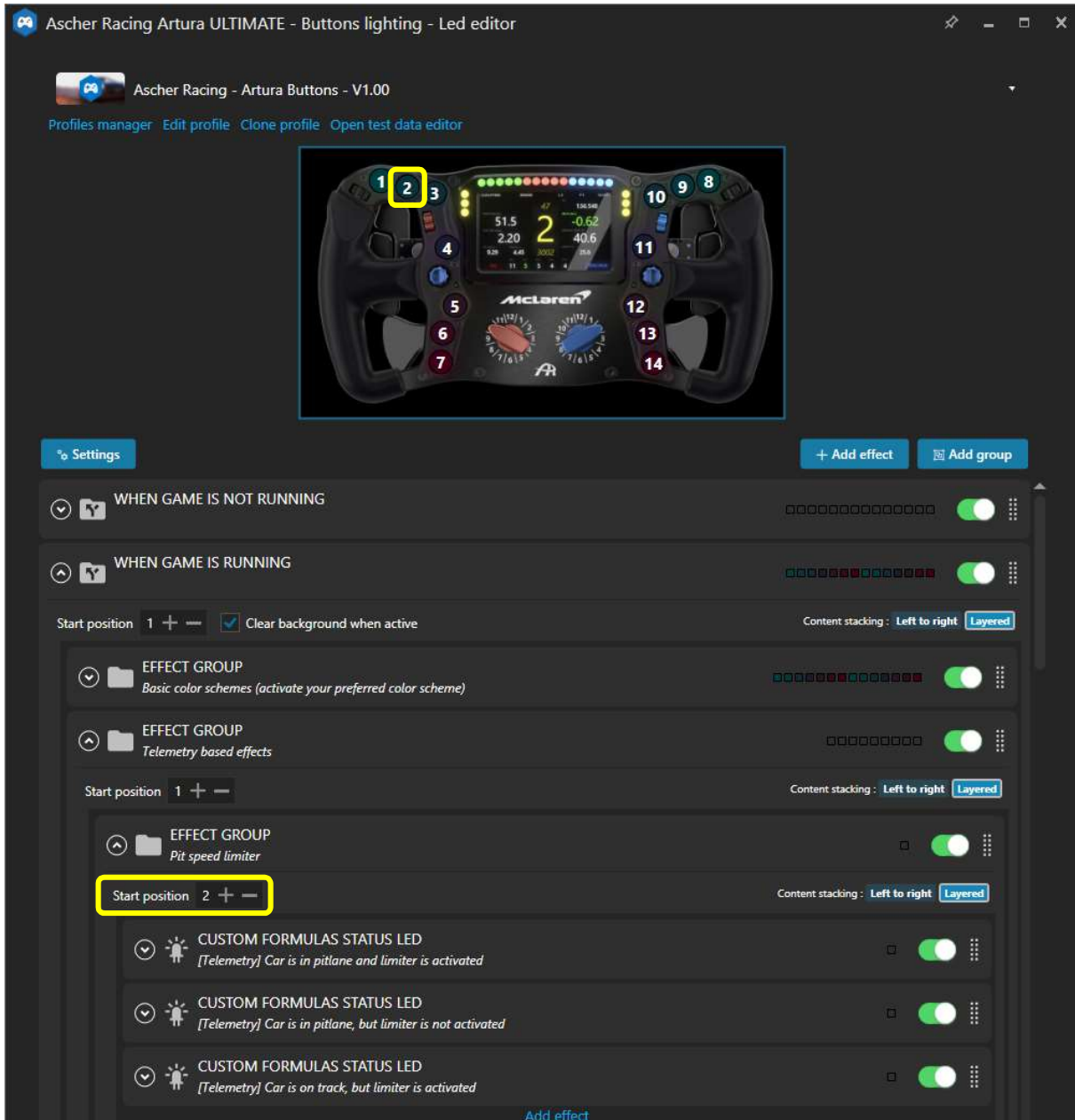
Der folgende Screenshot zeigt das Einrichtungsbeispiel für den zweiten Button, welcher die **Button-ID #1** nutzt (gemäß werkseitigem Button Mapping) und sich an **Start Position 2** befindet.



## 9.8. Telemetriebasierte Effekte

Zusätzlich zum Grundfarbschema werden mehrere Buttons über die Telemetriedaten aus der Simulation als darüber liegende Ebene angesteuert. Beispielsweise ändert der „Pit Limiter“-Button abhängig von seinem Status (an/aus) und von der Fahrzeugposition (Box/Strecke) seine Farbe.

**Sollten die entsprechenden Button Caps ihre Position am Lenkrad verändern (durch Austausch, etc. durch den Nutzer), muss die Start\_Position entsprechend angepasst werden.**



### 9.9. Artura ULTIMATE Dashboard LEDs

Die LEDs rund um das integrierte Dashboard werden von einem separaten LED-Profil gesteuert. Die Ascher Racing-StandardEinstellung wird dabei automatisch übernommen und angewandt.

Das grundlegende Konzept der Dash-LEDs ähnelt dem der Buttons, bei denen die meisten Effekte standardmäßig gedimmt sind, um den nötigen Spielraum für Warnungen und Schaltblitze zu schaffen. Die vertikalen LEDs auf der linken und rechten Seite werden für rennspezifische Meldungen wie Flaggen oder Spottermeldungen, sowie für Fahrzeugsystemmeldungen verwendet. TC-, ABS- und Pit-Limiter-Effekte können bei Bedarf einzeln abgeschaltet oder optimiert werden.

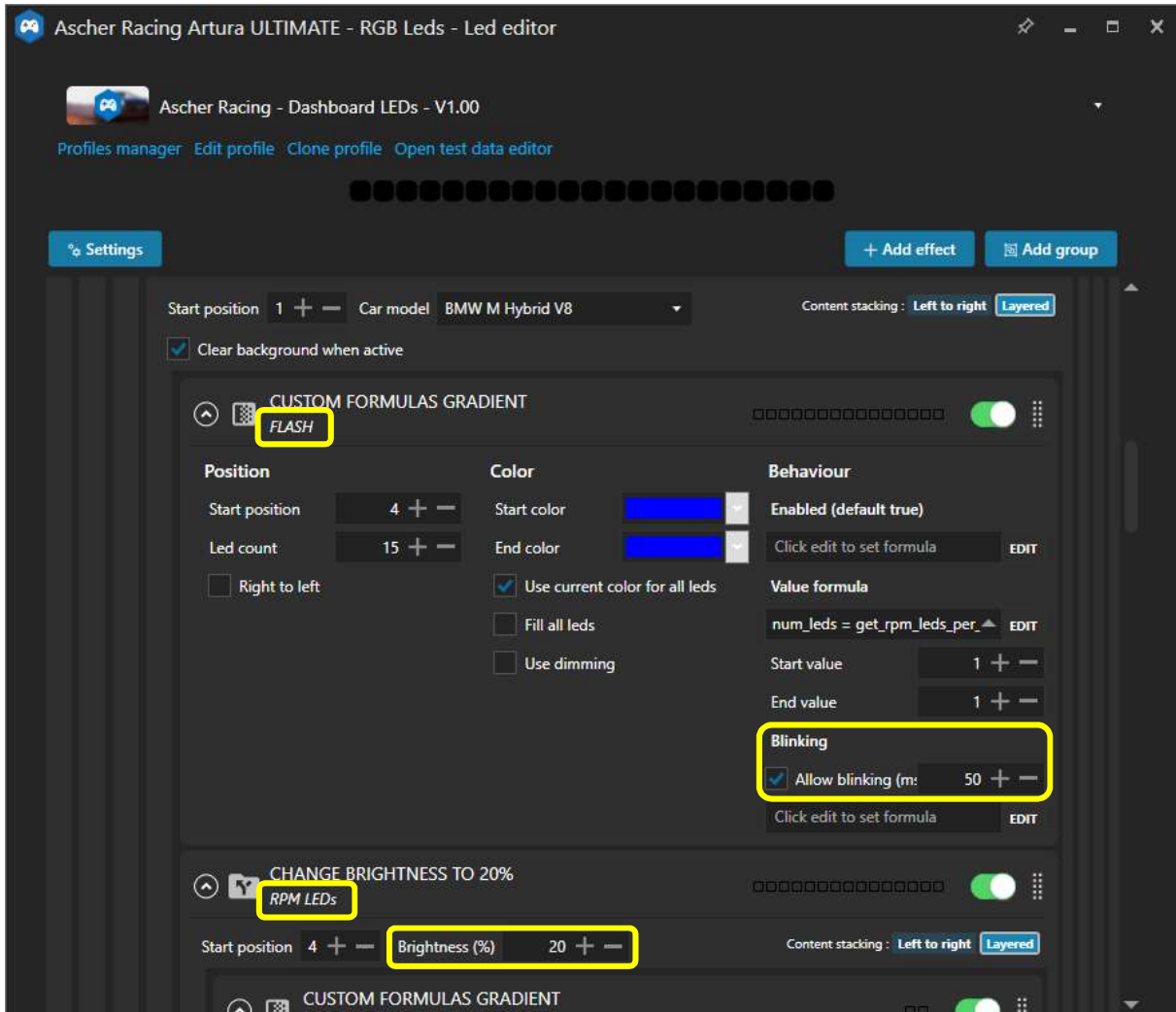
### 9.10. RPM/Drehzahl LEDs

Die horizontalen LEDs dienen zur Anzeige der Motordrehzahl und zur Visualisierung des Schaltblitzes. Neben der Standard-Drehzahlanimation gibt es viele fahrzeugspezifische LED-Animationen.

Farben, Zahlen und das allgemeine Verhalten der LEDs sind dabei so gestaltet, dass sie die LEDs des echten Autos nachbilden – mit der Ausnahme, dass die Schaltpunkte für eine perfekte Kraftübertragung optimiert wurden. **Somit ahmen die LEDs nicht die Schaltblitze der echten Autos nach und sind möglicherweise nicht synchron zu den Fahrzeugen in der Simulation, ermöglichen dafür jedoch bessere Rundenzeiten.**

In iRacing wurde bspw. eine Telemetrieanalyse für optimale Motordrehzahlen je Auto durchgeführt, wobei jeder einzelne Gang geprüft wurde. Je nach persönlichen Vorlieben können folgende Anpassungen vorgenommen werden:

- Helligkeit der RPM- und FLASH-LEDs
- Dauerhafter oder blinkender Schaltblitz
- Blinkgeschwindigkeit des Schaltblitzes
- Füllgeschwindigkeit des Drehzahlbandes (einstellbar pro für jeden einzelnen Gang)



Um die Geschwindigkeit anzupassen, mit der sich das Drehzahlband für jeden einzelnen Gang füllt, kann der rpm\_per\_led-Wert für jedes einzelne Auto und jeden Gang angepasst werden. Die Variable beschreibt, wie viele Motorumdrehungen jede LED darstellt. Höhere Werte führen also zu einem langsameren Drehzahlband mit einem Standardwert von rpm\_per\_LED[i] = 50.

Diese Werte müssen in alle Farben des Drehzahlbandes eines Autos kopiert/eingefügt werden:

- RPM LEDs > Red Lights Left > Value formula
- RPM LEDs > Red Lights Right > Value formula
- RPM LEDs > Green Lights Left > Value formula
- ...

## Binding ✕

None  *f<sub>x</sub>* Computed value

**JS Extensions**  Use javascript

*Including extensions is costly, only enable the options you really need.*

Include profile embedded JS extensions [Edit profile embedded JS extensions](#)  Include global JS extensions [View](#)

**Run once javascript code**

*This code will only be called once allowing to declare variables to store data, declare helper functions, load settings ...*

```
rpm_per_led[1] = 100; // gear 1
rpm_per_led[2] = 100; // gear 2
rpm_per_led[3] = 100; // gear 3
rpm_per_led[4] = 100; // gear 4
```

**Javascript**

*Javascript must return a result, IE : return 10*

```
num_leds = get_rpm_leds_per_gear("RPM", rpm_per_led) // RPM or FLASH
return num_leds
```

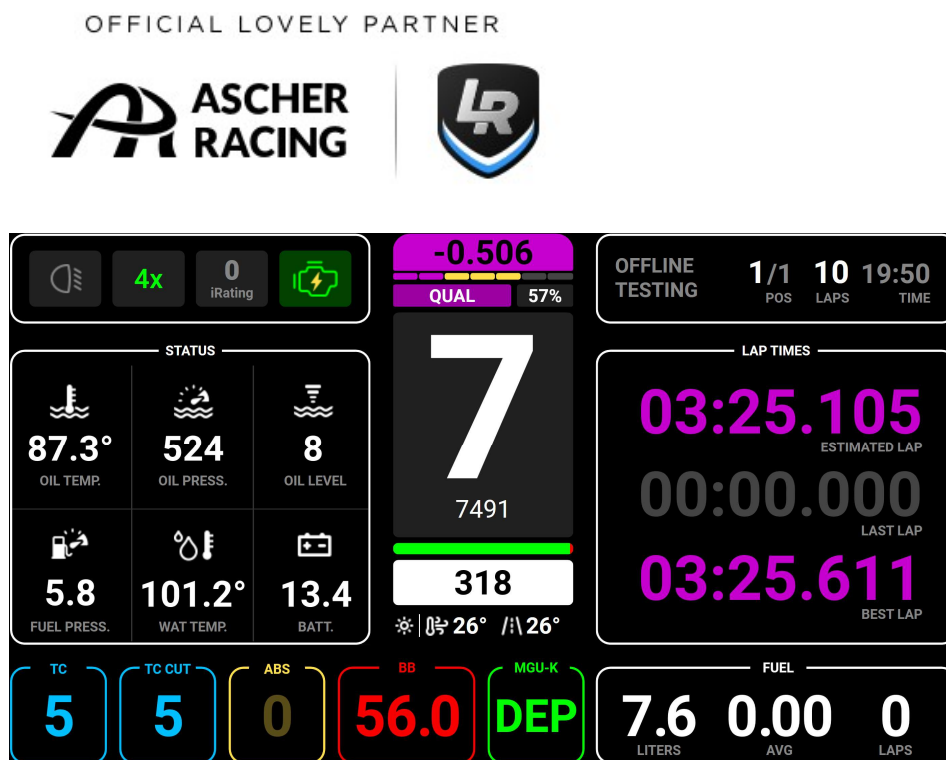
### 9.11. Lovely Dashboard

SimHub bietet die Möglichkeit, jedes Dashboard zu verwenden: Vom Standard-Dashboards, über ein – mit dem integrierten Dash Studio erstellten – DIY-Dashboard, bis hin zu hochoptimierten Dashboards von Drittanbietern. Für Letzteres ist das **Lovely Dashboard von Constantinos Demetriadis** eine sehr empfehlenswerte Option und bietet eine unübertroffene Designsprache kombiniert mit einem funktionsreichen Ökosystem, sowie sich ständig weiterentwickelnde Funktionen (z.B. umfassende Informationen zu Streckendaten).

Dank der offiziellen Unterstützung der Lenkräder der Ascher Racing McLaren Artura Serie, ergänzen sich der Funktionsumfang der Lenkräder und des Dashes ideal und schaffen ein nahtloses Kundenerlebnis.

Das neueste Lovely Dashboard, sowie entsprechende Installationsanweisungen finden Sie auf der offiziellen Website:

<https://github.com/cdemetriadis/lovely-dashboard>



Der Installations- und Konfigurationsprozess ist einfach und unkompliziert:

1. Laden Sie die Roboto-Schriftfamilie herunter und installieren Sie sie: Archiv entpacken und per Rechtsklick Schriftart installieren:  
<https://fonts.google.com/specimen/Roboto>
2. Laden Sie das Lovely Dashboard herunter und installieren Sie es:  
<https://github.com/cdemetriadis/lovely-dashboard/releases>
3. Richten Sie SimHub Action Trigger ein, um die Benutzeroberfläche von Lovely Dashboard zu steuern  
<https://github.com/cdemetriadis/lovely-dashboard/blob/main/docs/actions.md>
4. Erweitern und personalisieren Sie das Lovely Dashboard mithilfe der Einstellungsdatei:  
<https://github.com/cdemetriadis/lovely-dashboard/blob/main/docs/settings.md>

### 9.12. Daniel Newman Racing LED Profile

Als Alternative zu den offiziellen Ascher Racing Artura LED-Profilen gibt es LED-Profile von Drittanbietern, welche die Lenkradserie offiziell unterstützen.

Die LED-Profile von Daniel Newman Racing bieten einen ausgeklügelten Funktionsumfang und harmonieren perfekt mit dem Lovely Dashboard. Sie lassen sich einfach über Konfigurationsdateien/Online-Konfigurator einrichten und werden ständig gepflegt und verbessert.



Weitere Informationen, Anleitungen und LED Profile können auf der offiziellen Website gefunden werden:

<https://danielnewmanracing.com>



## 10. Ascher Racing Control Center

Das Control Center wird verwendet, um das Verhalten des Lenkrads wie z.B. Tastenbelegung, Einstellungen, Modi, Kupplungskurven usw. zu ändern.

Laden Sie die neueste Version aus dem Support-Bereich der Ascher Racing Website herunter, entpacken Sie die Datei und starten Sie die Software.

<https://ascher-racing.com/int/support>

Schließen Sie das Lenkrad an und klicken Sie auf das Zahnradsymbol, um die gewünschten Einstellungen anzupassen.

### 10.1. Button Mapping

Der Output aller Tasten ist frei belegbar, Zahlen können mehrfach verwendet werden, um viele unterschiedliche Szenarien zu realisieren. Die zugewiesene Nummer ist die Tasten-ID, die im Spiel/SimHub angezeigt wird, wenn eine Taste gedrückt wird.

Die einzigen Ausnahmen sind die feste ID (#0) der DFU-Taste (Device Firmware Upgrade) oben links und die einmalige Verwendung der Drehschalter-Modifikatortasten (BTN 3 | 9) oder (BTN 4 | 10), falls der Modifikatormodus aktiviert sein sollte (siehe Kapitel 10.3).

Mögliche Szenarien für benutzerdefinierte Tastenzuordnungen sind:

- Hoch- und Herunterschalten sowohl am linken als auch am rechten Doppelschalter
- Zuweisung mehrerer Tasten für die gleiche Funktion (z. B. DRS auf beiden sekundären Schaltwippen)
- Unabhängige Encoderrichtung (in jede Richtung drehen für den gleichen Ausgang)
- Verwendung unterschiedlicher Encoder für gleiche Einstellungen, Zugänglichkeit in jeder Situation
- Schnelle Neuordnung von Buttons, ohne die Konfigurationen/SimHub-Profile im Spiel zu ändern
- Vereinfachte Eingabe für spezielle Umgebungen und Events (z. B. drücken Sie eine beliebige Taste, um zu STARTEN)
- Replikation der Buttonprofile von anderen Lenkrädern
- Anpassung der Rotary Switches anpassen (z. B., um Positionen zu reduzieren)
- Spiegelfunktionen des linken und rechten Joysticks



ASCHER RACING

Ascher Racing Artura ULTIMATE

Home


Configuration Settings

Button Mapping

Device Info

✓ All   ✓ Buttons   ✓ Rotary Switches   ✓ Encoders   ✓ Joysticks   ✓ Paddle Shifters


**DFU button: ID = #0**



Fit Window

Write mapping

## 10.2. Configuration Settings



### Ascher Racing Artura ULTIMATE

⌵

Home

---

Configuration Settings

---

Button Mapping

---

Device Info

#### Analog Axis Mode

Gas & Brake
Dual Clutch (master right)
Dual Clutch (master left)

Bite-Point

-
45.0
+

#### Left Clutch

Linearity Mode

Progressive / Degressive
S-Curve
Custom Curve

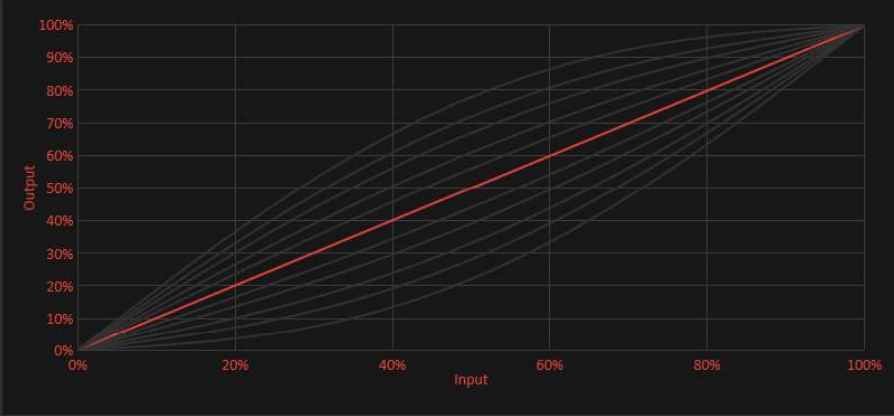
Linearity Setting

Deadzone High *i*

-
2.0
+

Deadzone Low *i*

-
2.0
+



#### Right Clutch

Linearity Mode

Progressive / Degressive
S-Curve
Custom Curve

Deadzone High *i*

-
2.0
+

Deadzone Low *i*


-
2.0
+

Profile

1
2
3
4
5

Output for Clutch Input

0% :	-	0	+
10% :	-	10	+
20% :	-	20	+
30% :	-	30	+
40% :	-	40	+
50% :	-	50	+
60% :	-	60	+
70% :	-	70	+
80% :	-	80	+
90% :	-	90	+
100% :	-	100	+



Write configuration

70 | page

### 10.3. Analog Axis Modus

Beide analogen Achsen (Clutch Paddles) können jeweils als einzelne Achsen verwendet werden, beispielsweise als Gas- und Bremspaddel.

Im Dual Clutch Mode werden beide Achsen zu einem einzigen Output zusammengefasst. Der im entsprechenden Moment größere Wert der beiden Paddles definiert hierbei den Ausgabewert. In diesem Modus ist ein Paddle als Master Clutch definiert, während das andere Paddle als Slave agiert.

Das Slave Paddle wird hierbei so skaliert, dass sein physikalisches Maximum den Bite-Point-Wert ausgibt. So kann der Schleifpunkt der Kupplung präzise und leicht erreicht werden, indem die Slave Clutch bis zum Anschlag gezogen wird. Gleichzeitig wird die Sensibilität erhöht, da 100% physische Bewegung auf bspw. 50% Output treffen.

### 10.4. Clutch Settings

Die Deadzones jedes analogen Paddels lassen sich an beiden Endanschlägen definieren. Empfohlen werden kleine Werte von ca. 2,0%, um in der Ruheposition ein stabiles Signal von 0% und im vollständig gezogenen Zustand einen maximalen Output von 100% zu gewährleisten.

Die Linearität jedes Kupplungspaddels kann individuell definiert werden, um das Verhältnis zwischen physikalischem Input und elektronischem Output zu verändern. Es gibt 10 vordefinierte lineare Settings, um schnell ein progressives/degressives oder S-Kurven-Verhalten der Paddles zu erzeugen.

Bei der Slave Clutch kann eine degressive Kurve sehr sinnvoll sein, um die Empfindlichkeit rund um den Schleifpunkt stark zu erhöhen. Im Gegensatz dazu erhöht ein progressives Verhalten der Master Clutch die Geschwindigkeit, wenn das Paddle während eines Rennstarts losgelassen wird.

S-Kurven wiederum können sehr nützlich sein, um das Gefühl von Gas- und Bremspaddles zu verändern, wenn bei maximalem Weg mehr oder weniger Präzision erforderlich ist.

Zusätzliche Freiheit beim Einrichten der Paddles bieten benutzerdefinierte Kupplungskurven. Linearitätskurven können durch Änderung einzelner Datenpunkte ohne Einschränkungen definiert werden. Auf diese Weise ist es möglich, in einem bestimmten Outputbereich eine noch höhere Empfindlichkeit zu erreichen, um den perfekten stehenden Start zu optimieren. Auf diese Weise ist es möglich, den tatsächlichen physischen Bereich (100% bis 10%) der Kupplung elektronisch auf einen Output von 100% bis 90% zu skalieren. Dadurch wird die Empfindlichkeit verzehnfacht, während der verbleibende physische Weg von 10% bis 0% auf 90% bis 0% Output gemapped wird.

Generell können mittels gut definierter Clutch Curves durchdrehende Reifen oder das Abbocken des Fahrzeugs durch sinkende Motordrehzahlen verhindert und Starts mit unübertroffener Präzision fein abgestimmt werden.

Für jedes Clutch Paddle (links und rechts) können jeweils insgesamt 5 individuelle Kurvenprofile gespeichert werden, um schnell zwischen verschiedenen Fahrzeugen zu wechseln oder um neue Settings zu testen.

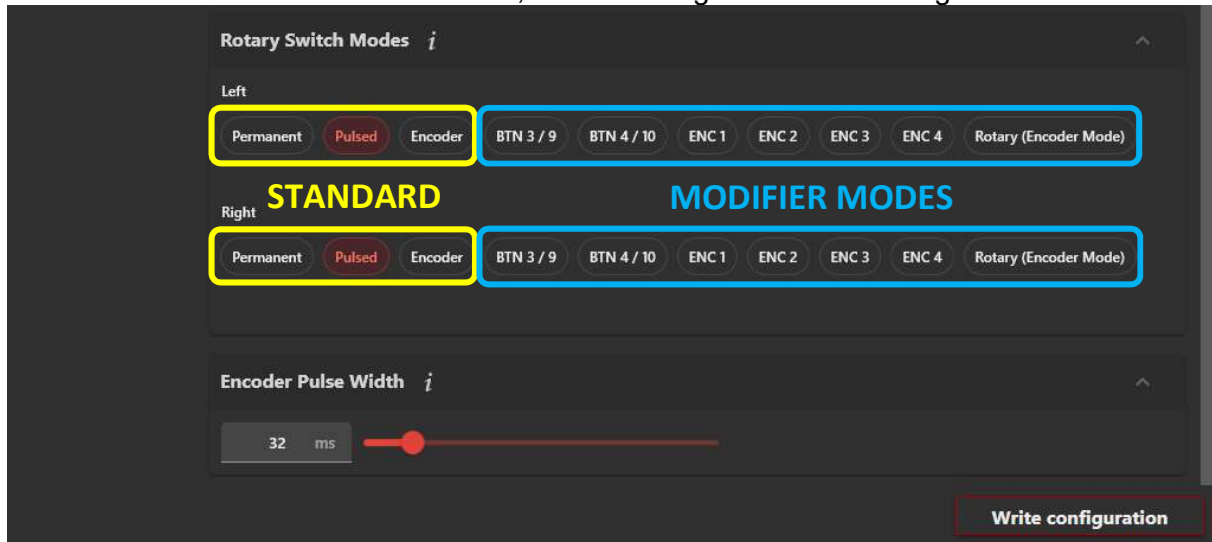
### 10.5. Encoder Impulsbreite

Die *Impulsbreite* des Encoders definiert die zeitliche Dauer der Encoderimpulse, d.h. wie lange die Taste für jede Arretierung des Encoders gedrückt wird. Kurze Impulse ermöglichen generell schnellere Anpassungen (z.B. hilfreich bei Reduzierung der Tankmenge beim Boxenstopp um 50 Klicks), sind jedoch möglicherweise zu schnell, um von der Simulation erkannt zu werden. Wird der Encoder sehr schnell gedreht (eine neue Arretierung wird

registriert, während der vorherige Impuls noch aktiv ist), wird die Drehgeschwindigkeit durch die Impulsbreite begrenzt. Neue Impulse werden dann mit der maximalen Rate erzeugt, die die Impulsbreite des Encoders zulässt.

## 10.6. 12-Position Rotary Switch Modi

Sowohl der linke als auch der rechte 12-Position Rotary Switch mit können in vielen verschiedenen Modi verwendet werden, um allen möglichen Szenarien gerecht zu werden



### STANDARD MODI:

- Permanent** Kontinuierliche Ausgabe der Rotary Position. Der Output der jeweiligen Position zwischen 1 und 12 ist dauerhaft ON. Dies kann in verschiedenen Simulationen zu Problemen führen, z.B. beim Versuch, Tasten zuzuweisen.  
Dementsprechend müssen die Einstellungen in der Simulation auf Rotations- und NICHT auf den Encoder-Modus eingestellt sein, so z.B. bei iRacing: Use rotary knob (analog or digital)
- Pulsierend** Ähnlich wie *Permanent*, jedoch wird der Output nur kurzzeitig ausgelöst sobald sich die Position ändert. Die Dauer dieses Impulses wird mittels der *Encoder Impulsbreite* definiert. Dies umgeht die Probleme des *permanenten Modus*, führt jedoch dazu, dass die Einstellungen beim „Einsteigen“ in das Fahrzeug nicht automatisch übernommen werden. Um die Funktion zu gewährleisten müssen die Einstellungen in der Simulation auf Rotations- und NICHT auf den Encoder-Modus eingestellt sein, so z.B. bei iRacing: Use rotary knob (analog or digital)
- Encoder** Nur 2 Outputs – abhängig von der Drehrichtung (im Uhrzeigersinn/gegen den Uhrzeigersinn).  
Nützlich für Erhöhungs-/Verringerungsfunktionen anstelle von absoluten Positionen, z.B. zum Einstellen von Traktionskontrolle um jeweils einen Klick beim Drehen im Uhrzeigersinn, etc.

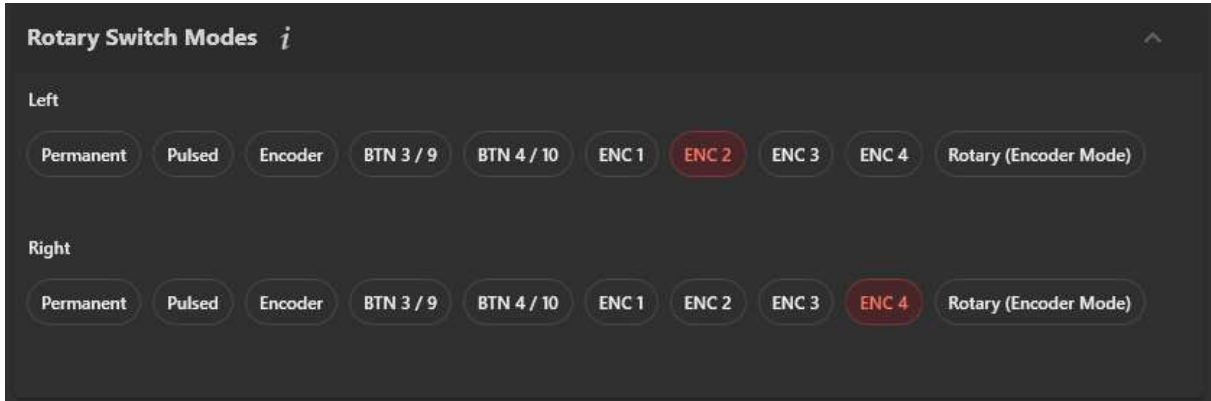
**MODIFIER MODI:**

Modifier Modi (Eigenschaftswandler) verwenden den 12-Position Rotary als Wahlschalter, um die Ausgabe anderer Schalter zu ändern. So wird die die Funktionalität bestimmter Schalter/Buttons vervielfacht, da 12 verschiedene Funktionen zugewiesen werden können. Die folgende Grafik zeigt, welche Schalter/Buttons in ihrer jeweiligen Einstellung geändert werden.

- BTN 3/9** Button #3 und #9 werden modifiziert. Um das physische Buttonpaar welches modifiziert werden soll zu ändern, passen Sie bitte das Buttonmapping an. In diesem Modus werden immer diejenigen Buttons modifiziert welche Position #3 und #9 zugewiesen sind. Die entsprechenden IDs müssen einzigartig bleiben, was bedeutet, dass nur jeweils eine physische Taste als #3 und #9 definiert werden kann.
- BTN 4/10** Fungiert nach derselben Logik wie *BTN 3/9*, aber nutzt die Tasten-IDs #4/#10.
- ENC 1-4** In diesem Modus werden die Thumb Encoder modifiziert. Die Zuordnung finden Sie in der nachfolgenden Grafik.
- Rotary (Encoder Mode)** Der jeweils andere 12-Position Rotary wird modifiziert. Dafür muss dieser in den Encoder-Modus versetzt werden. Beispielsweise kann so der blaue Rotary als Encoder genutzt werden, dessen Output sich basierend auf der Position des roten Rotaries verändert (z.B. Pos1 Rot = TC (Blau), Pos2 Rot = ABS (Blau), etc.).



Stellen Sie beispielsweise den *Rotary Switch Modus* wie nachfolgend gezeigt ein, um den Output des **roten Thumb Encoders** mit der Position des **roten 12-Position Rotaries** und den Output des **blauen Thumb Encoders** mittels der Position des **blauen 12-Position Rotaries** zu modifizieren.



Die folgenden Funktionen dienen als Beispiel dafür, wie die modifizierten Encoder im Spiel konfiguriert werden könnten.

Red 12-pos.	Red Thumb Enc.	Blue 12-pos.	Blue Thumb Enc.
1	BRK BIAS	1	BRT BTN
2	TCC	2	BRT REV
3	TCR	3	BRT LCD
4	ABS	4	DDU PAGE
5	ENG	5	GAME VOL
6	MGU-K	6	SPOT VOL
7	DEPLOY	7	CHAT VOL
8	DIFF ENTRY	8	RADIO CH.
9	DIFF MID	9	CAMERA
10	DIFF EXIT	10	STRAT 5   6
11	FRONT ARB	11	STRAT 3   4
12	REAR ARB	12	STRAT 1   2

Das offizielle Ascher Racing Dashboard zeigt den in der Abbildung gezeigten Text an, wenn der Modifier Modus aktiv ist. Auf diese Weise müssen nicht alle 24 zugeordneten Funktionen gemerkt werden und die aktuell ausgewählte Funktion wird jeweils angezeigt. Bei Standard Rotary Switch Modi werden anstelle des Textes die Positionsnummern im Dashboard angezeigt.

Um die Textausgabe zu ändern, kann folgende Formel angepasst werden:  
 Edit Dashboard > Base Screen > Bottom > Rotary Left > value > Text

**Text Binding**

None  Use javascript

**JS Extensions**  Include local JS extensions [View directory](#)  Include global JS extensions [View directory](#)

**Run once javascript code**

*This code will only be called once allowing to declare variables to store data, declare helper functions, load settings ...*

```
const rotary_text = {}
// ENTER TEXT HERE (will be shown when rotary MODIFIER mode is active)
rotary_text[0] = "BRK BIAS"; // Pos 1
rotary_text[1] = "TCC"; // Pos 2
rotary_text[2] = "TRCK"; // Pos 3
```

**Javascript**

*Javascript must return a result, IE: return 10*

```
rotary_output = get_rotary_left_output(rotary_text)
return rotary_output
```

Insert function Insert property Insert variable Insert raw game data

**Result format:**

**Raw result**

INIT

**Formatted result**

INIT

Ok

**Screen hierarchy**

Base

Session Time (in Pillane)

Pop-Up Overlays

Bottom Right (Widget)

Header

Center Box

Hybrid Box

Brake Bias Box

Laptime Box

Fuel Box

Track State Box

Bottom

Rotary Left

Title (Text)

value (Text)

Background Gradient (Linear gradient)

ABS Box

TCC Box

Selected item preview

LEFT

**Properties**

Opacity 100

Rotation 0

**Text**

HorizontalAlignment Center

VerticalAlignment Center

Font Segoe UI

FontSize 26

FontStyle Normal

FontWeight Bold

Text LEFT



## 11. On-Wheel Settings

Mehrere Einstellungen können direkt am Lenkrad geändert werden, ohne dass zusätzliche Software erforderlich ist. Das folgende Bild zeigt die entsprechenden Tasten und On-Wheel-Funktionen.



### Bite-Point Setting

- STARTEN: Drücken Sie den *Rechten Joystick* Button 1s lang
- Änderung um 1,0%: Drehen Sie den *Linken Joystick*
- Änderung um 0,1%: Drehen Sie den *Rechten Joystick*
- BEENDEN: Drücken Sie den *Rechten Joystick* Button 1s lang

### Clutch Kalibrierung

- Drücken Sie beide *Calibrate Clutch* Buttons 1s lang (*linke* Buttons für *linke* Clutch und umgekehrt)
- Ziehen Sie die Kupplung und lassen Sie sie unmittelbar wieder los, während die Status LED der jeweiligen Seite an ist
- LED blinkt nach 3s: Clutch ist recalibriert

### Analog Axis Mode

- STARTEN: Drücken Sie beide *Analog Axis Mode* Buttons 1s lang
- Beide Status LEDs gehen an
- Drücken Sie den *Change Mode* Button:
  - 1 x Gas & Brake
  - 2 x Dual Clutch (Master rechts)
  - 3 x Dual Clutch (Master links)
  - 0 / >3 x nimmt keine Änderungen vor
- BEENDEN: Drücken Sie beide *Analog Axis Mode* Buttons 1s lang

### Zurücksetzen auf Werkseinstellungen

- Drücken & Halten Sie den *Factory Reset* Button während Sie das Gerät mit dem PC verbinden

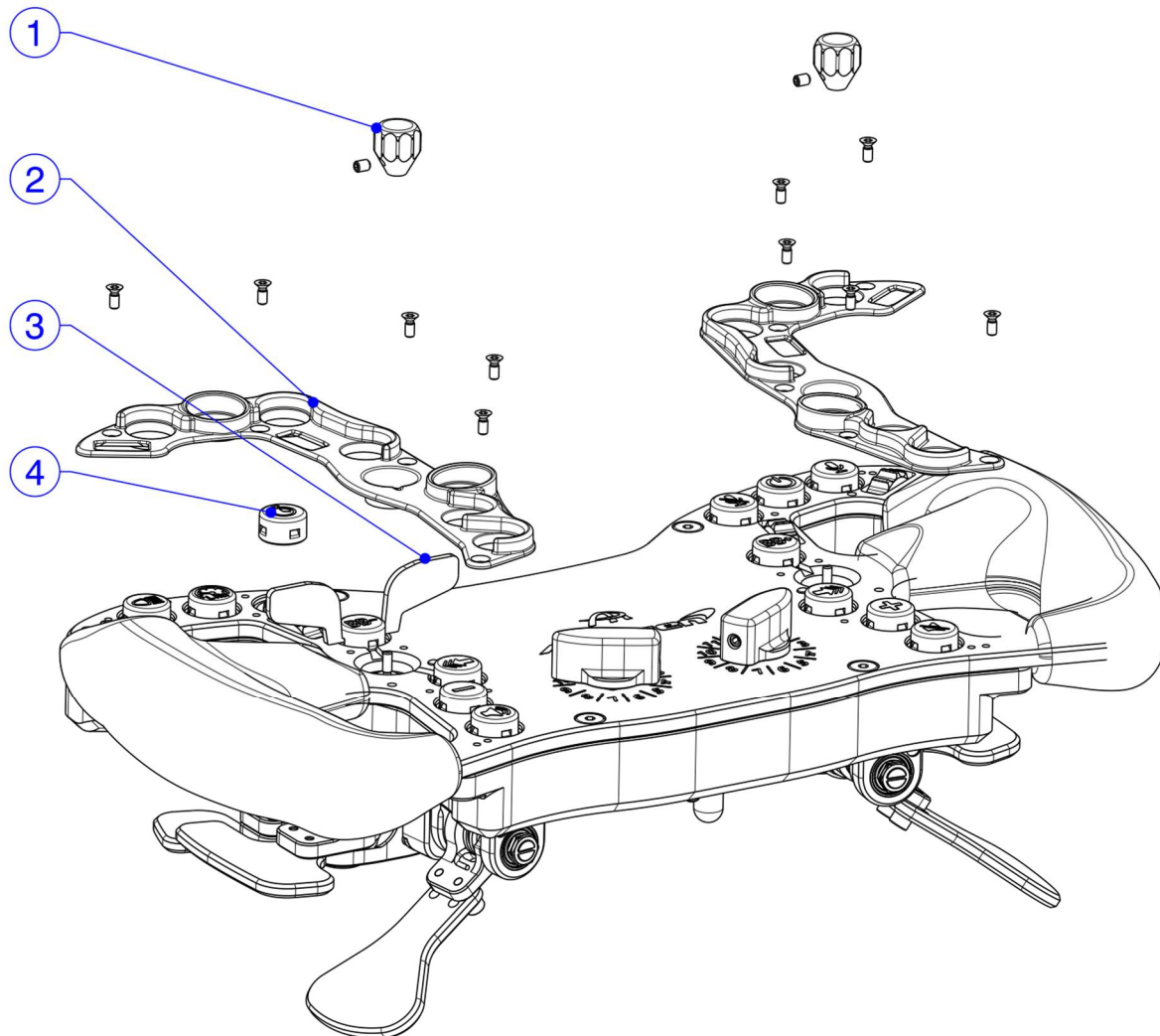


## 12. Ändern der Button Caps

Die Button Caps können problemlos ausgetauscht werden, ohne dass eine aufwändige Demontage oder ein Öffnen des Lenkrads erforderlich sind. Um ein Symbol auszutauschen oder seine Position zu ändern, kann die Button Cap aus ihrer Halterung gehebelt und eine neue Cap eingesetzt werden.

**Um Kratzer zu vermeiden, legen Sie entweder Papier zwischen das Removal Tool und die Frontplatte oder kleben Sie Klebeband auf das Werkzeug, um die Oberfläche zu schützen.**

1. Entfernen Sie den Joystick Knob (Inbus: 1.5mm)
  - Halten Sie den Knob mit den Fingern fest, während Sie die Madenschraube festziehen oder lösen
  - Dadurch verhindern Sie, dass zu viel Kraft auf den Schaft des Joysticks ausgeübt wird und diesen beschädigen oder verbiegen könnte
2. Entfernen Sie den Buttonguard, welcher die Buttons umgibt (Torx: TX8)
  - Entfernen Sie alle schwarzen TX-Schrauben und entfernen Sie den Guard
  - Nun sind die Ausziehkerben der Button Caps frei zugänglich für ein einfaches Entfernen dieser
3. Fahren Sie mit beiden *Button Cap Removal Tools* in die Ausziehkerben
4. Hebeln Sie die Cap heraus
5. Setzen Sie die neue Cap ein und drücken Sie diese in die Halterung (achten Sie hierbei auf die Orientierung der Cap, diese kann nicht nachträglich gedreht werden)
6. Montieren Sie den Guard wieder (max. Anzugsdrehmoment 0.3 Nm/ 2.6 lbs → leicht handfest)
7. Montieren Sie den Joystick Knob (halten Sie den Knob wieder mit den Fingern fest)



### 13. Upgrade der Shifter und Clutch Paddles

Sowohl die Single als auch die Double Shifter der Ascher Racing Gen6 Serie sind austauschbar. Artura GT4 und SPORT können daher von Single auf Double Shifter umgebaut werden. Zudem können beide Lenkräder um Clutch Paddles ergänzt werden.

1. Öffnen Sie das Lenkrad wie in Kapitel 8.5 beschrieben
2. Demontieren Sie die Shifter (Inbus: 2.5mm)
3. Stecken Sie die Verbindungskabel beider Seiten aus (linker/rechter Shifter)
4. Führen Sie das neue Verbindungskabel durch das Gehäuse
5. Verbinden Sie das Kabel mit dem jeweiligen Shifter
6. Montieren Sie die Shifter (Anzugsdrehmoment: 1.8 Nm)
7. Passen Sie den *Shifter Modus* auf der PCB an (SINGLE -> DOUBLE oder umgekehrt)
8. Bauen Sie das Lenkrad wieder, wie in Kapitel 8.5 beschrieben, zusammen

Zur Montage der Clutch Paddles, stecken Sie nach Öffnung des Lenkrads das Verbindungskabel der Clutch Paddles in die entsprechend auf der PCB beschrifteten 3-poligen Anschlüsse, montieren diese und kalibrieren Sie diese einmalig, wie in Kapitel 11 beschrieben.

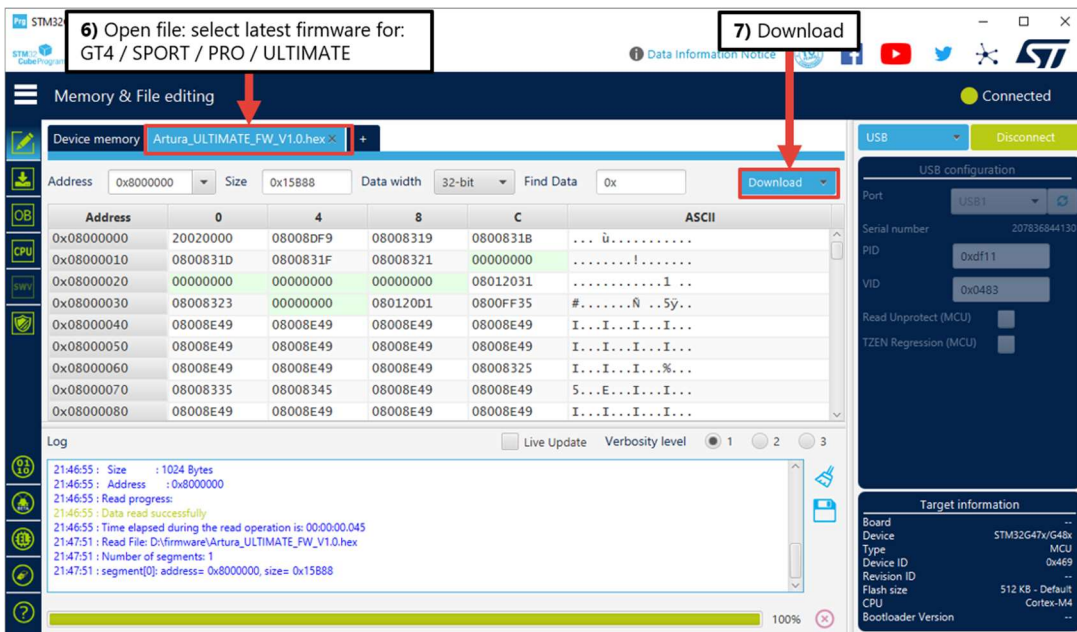
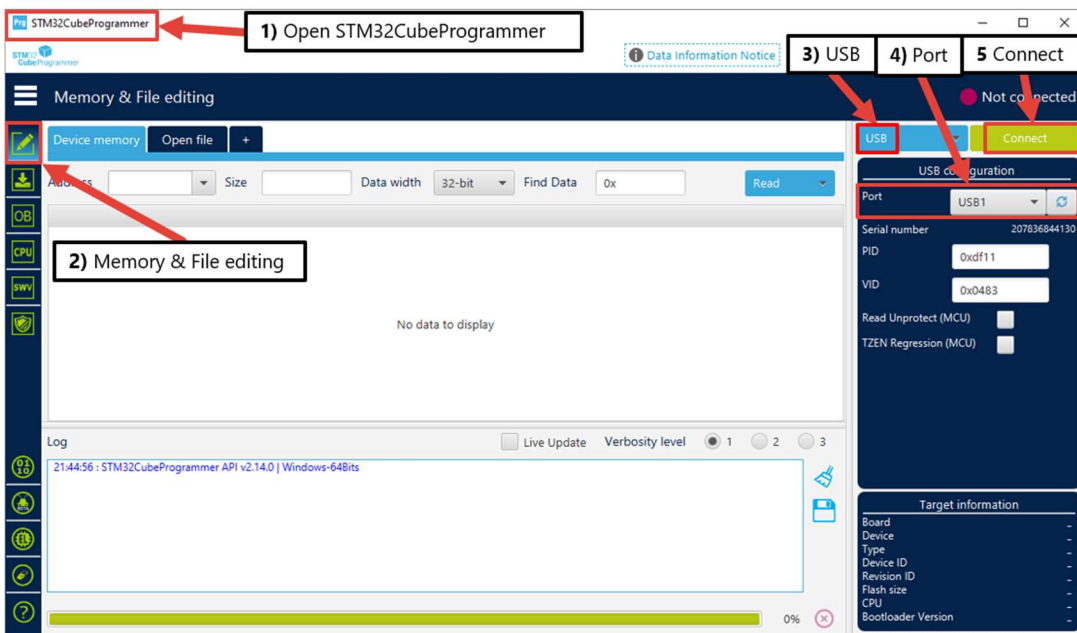
## 14. Firmware Update

Die Firmware-Version des Lenkrads wird im *Control Center* unter *Device Info* angezeigt. Updates sind über die Support-Seite von Ascher Racing verfügbar <https://ascher-racing.com/de/support>

Um eine neue Firmware auf das Lenkrad zu flashen, ist der STM32 Cube Programmer erforderlich: <https://www.st.com/en/development-tools/stm32cubeprog.html>

Rufen Sie den DFU-Modus (Device Firmware Update) auf, indem Sie den *Firmware Update Button* am Lenkrad gedrückt halten, während Sie das Gerät über ein Spiralkabel mit dem PC verbinden.

Befolgen Sie die nachfolgenden Schritte um die Firmware zu flashen:



9) Disconnect and remove coiled cable

8) firmware programmed successfully

Meldung  
File download complete

Log

- 21:49:03 : erasing sector 0039 @: 0x08013800 done
- 21:49:03 : erasing sector 0040 @: 0x08014000 done
- 21:49:03 : erasing sector 0041 @: 0x08014800 done
- 21:49:03 : erasing sector 0042 @: 0x08015000 done
- 21:49:03 : erasing sector 0043 @: 0x08015800 done
- 21:49:03 : Download in Progress:
- 21:49:06 : File download complete
- 21:49:07 : Time elapsed during download operation: 00:00:04.523

Log Verbose level 1 2 3

100%

USB configuration

Port USB1

Serial number 207836844139

PID 0xdf11

VID 0x0483

Read Unprotect (MCU)

TZEN Regression (MCU)

Target information

Board ...

Device STM32G47x/G48x

Type MCU

Device ID 0x469

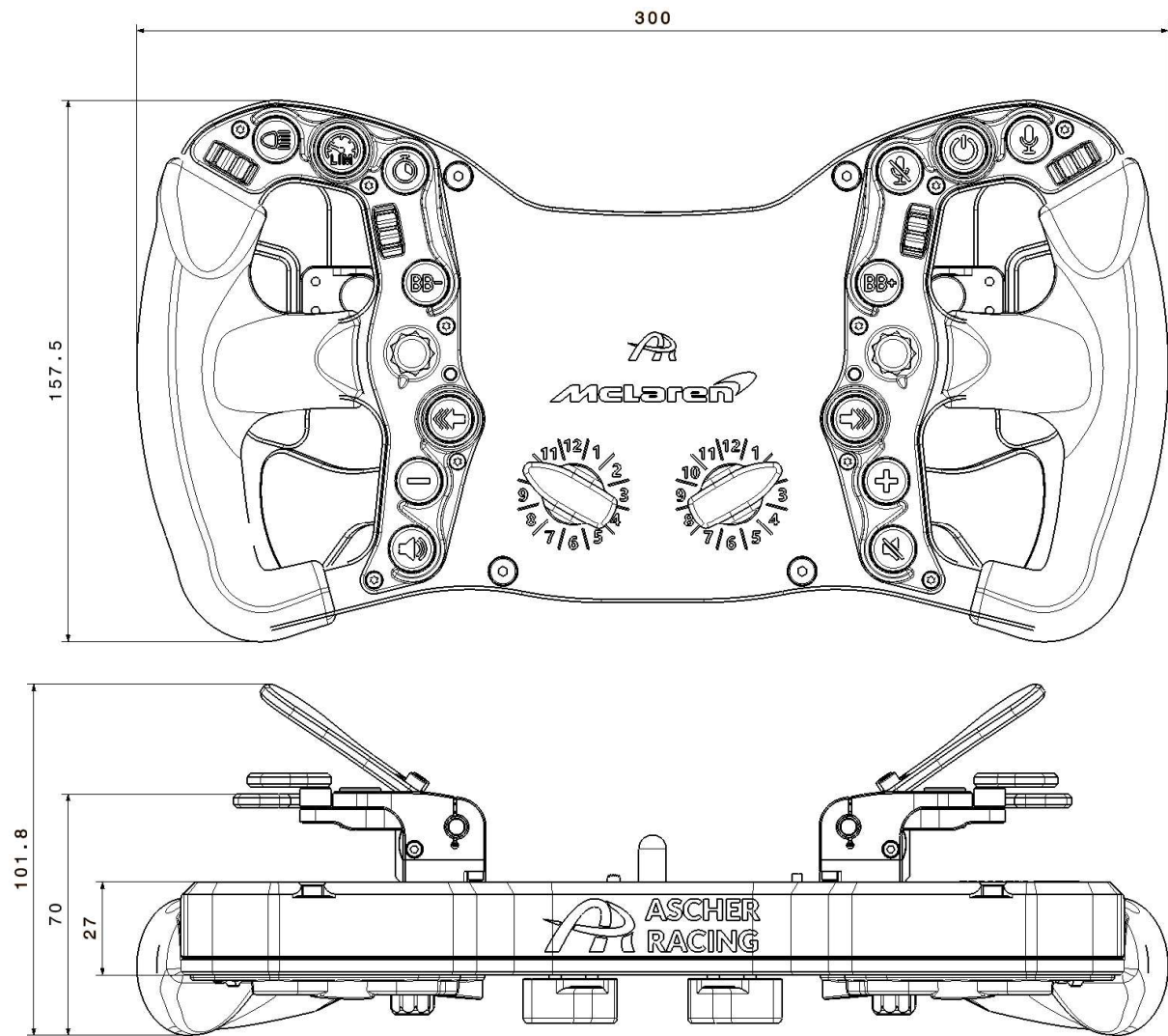
Revision ID ...

Flash size 512 KB - Default

CPU Cortex-M4

Bootloader Version ...

## 15. Lenkrad Maße





**Jetzt zurück hinter Steuer und genießen  
Sie Ihr neues Lenkrad!**

Falls Fragen aufkommen sollten, welche im Rahmen dieses Manuals nicht beantwortet werden können, kontaktieren Sie uns bitte unverzüglich via [info@ascher-racing.com](mailto:info@ascher-racing.com)